



NOTES:

- Installation should be completed by an individual familiar with the construction and operation of the luminaire.
- Installation of luminaire must be in accordance with nation and local building and electrical codes.
- Carefully read and follow all warnings and instructions before installing or servicing the luminaire.
- Do not restrict luminaire ventilation.
- Ensure luminaire is not covered with material that will prevent convection or conduction cooling.
- Do not exceed luminaire's maximum ambient temperature.
- Ensure LED luminaire has the correct polarity before installation.

⚠ IMPORTANT SAFETY INFORMATION: READ AND FOLLOW ALL INSTRUCTIONS:

Electric current can cause serious injury or death. For your safety follow these precautions:

- Product must be installed following all national and local codes by a qualified technician.
- Turn off power before product installation, servicing, and removal.
- Ensure supply voltage corresponds with the correct ballast/driver voltage.
- Avoid exposing wiring to metal edges and sharp objects.
- Properly ground the fixture and do not operate fixture without covers in place.

⚠ RISK OF FIRE:

The Luminaire must be connected to the mains supply according to its ratings on the product label. Use only UL approved wire for input/output connections. Minimum size 18 AWG. Keep flammable and combustible materials away from the light source and/or lens. Use correctly rated supply conductors as indicated by product labeling.

TO PREVENT PERSONAL INJURY:

- Allow luminaire to cool before handling luminaire.
- Wear safety glasses and gloves when handling luminaire to avoid physical injury.
- LED lights are extremely bright – care should be taken not to look directly at the light source. Safety glasses with tinted lenses are recommended (ANSI Z87.1 or equivalent).
- Always support the weight of the luminaire.

Vyv is not responsible for any injuries due to the improper installation or handling of its products.

NOTE: Fixtures must never be lifted from sides or ends, lift fixtures only by cradling in arms until they are supported uniformly by mounting system.

Installation Instructions

AVAILABLE MOUNTING OPTIONS:

Please see the separate Supplemental Installation Instructions based on the selected mounting method. The following mounting methods are available for this product and must be selected upon ordering of product:

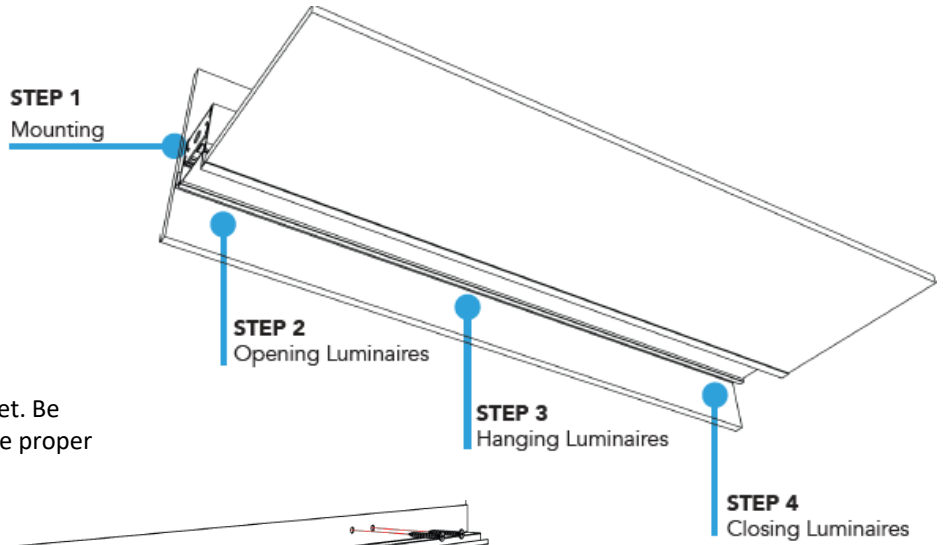
Code	Description	Supplemental Installation Instructions
<u>I</u>	T-Grid	INS-431
<u>FL</u>	Flanged	INS-432

Perimeter mounting instructions included on pages 2-3.

PERIMETER MOUNTING:

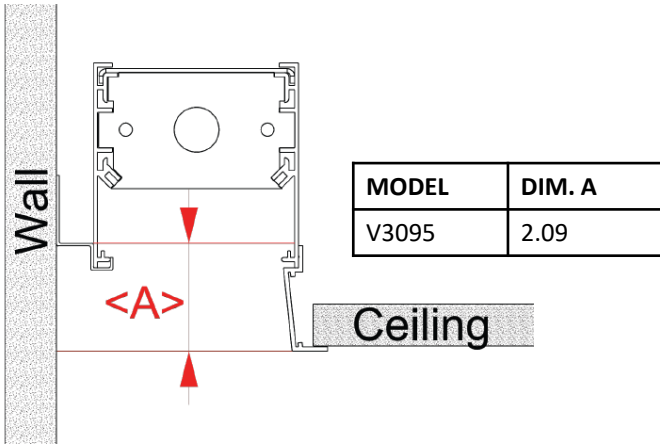
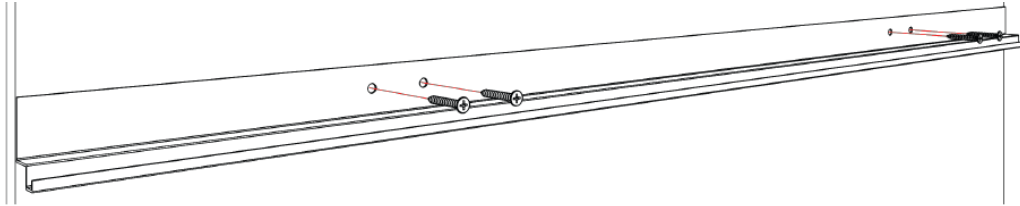
Layout the Fixture as indicated on plans.
Prepare mounting location.

Install Hardware (by Others) in wall 4" O.C.
apart at the indicated mounting locations.

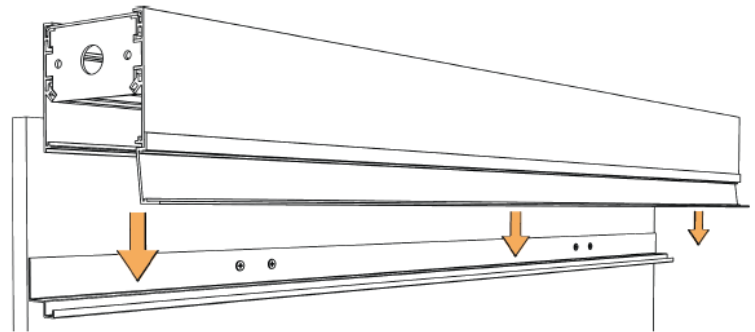


STEP 1: MOUNTING

1.1. At proper height install Wall Mounting bracket. Be certain it is supported by structural wall. To define proper height, follow the diagram and table below.

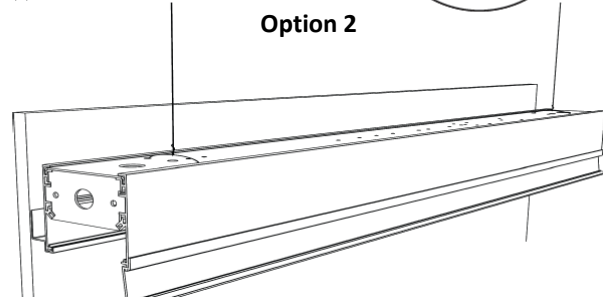
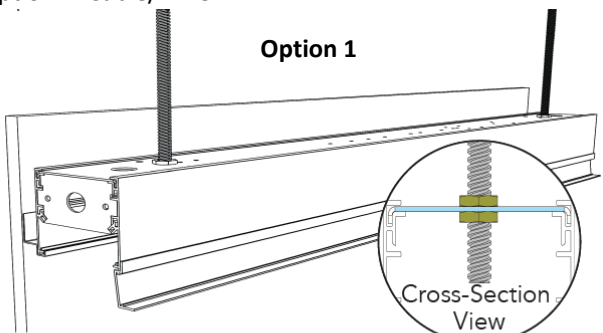


1.2. Set Fixture into the wall rail.

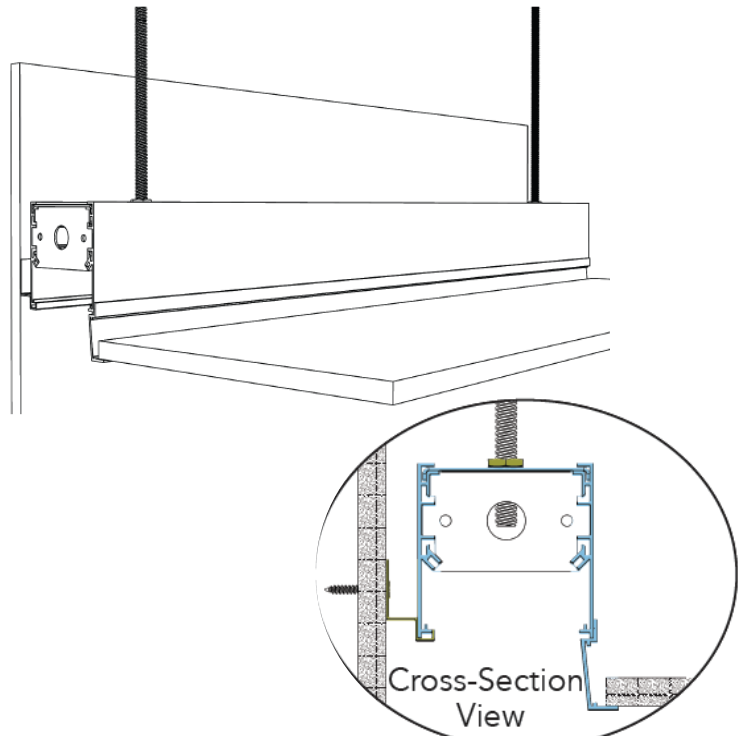


1.3. Secure Fixture to structure above (hardware provided by others)

- Option 1: Threaded rod
- Option 2: Cable/Wire

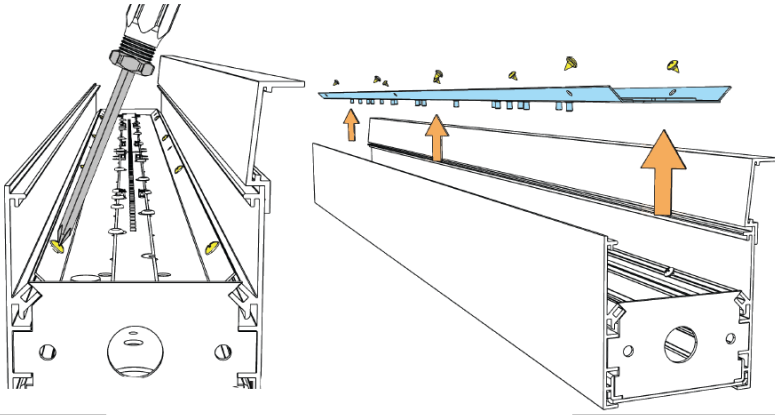


1.4. Mounted View.

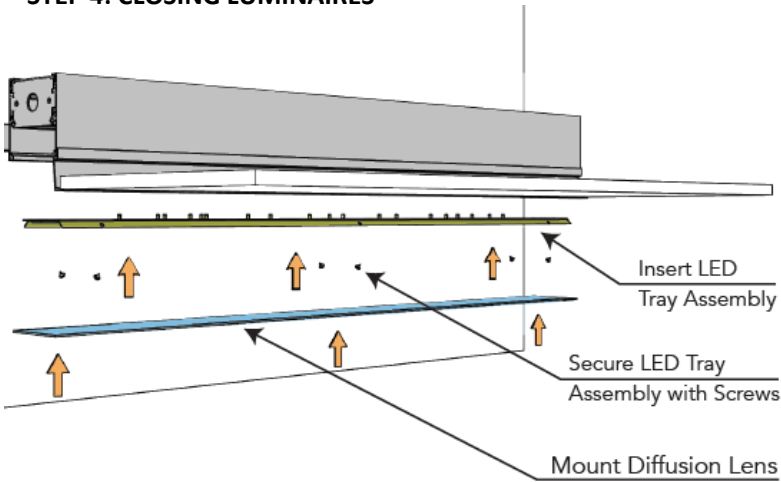


STEP 2: OPENING LUMINAIRES

2.1. Remove LED tray assembly. To remove the LED tray assembly, locate all the screws inside the fixture. Using a Phillips screwdriver, remove all screws and set them aside. Carefully remove the LED tray assembly.

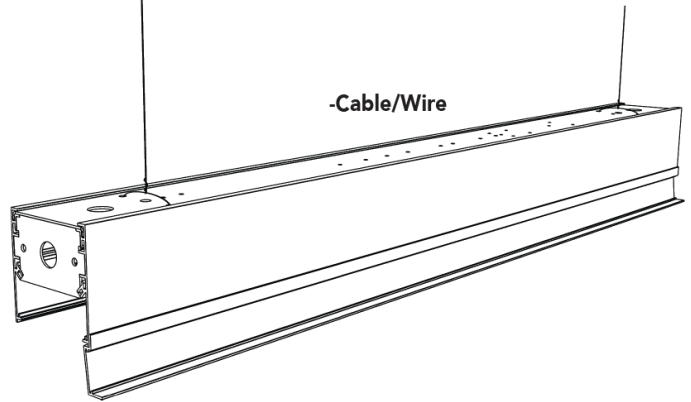
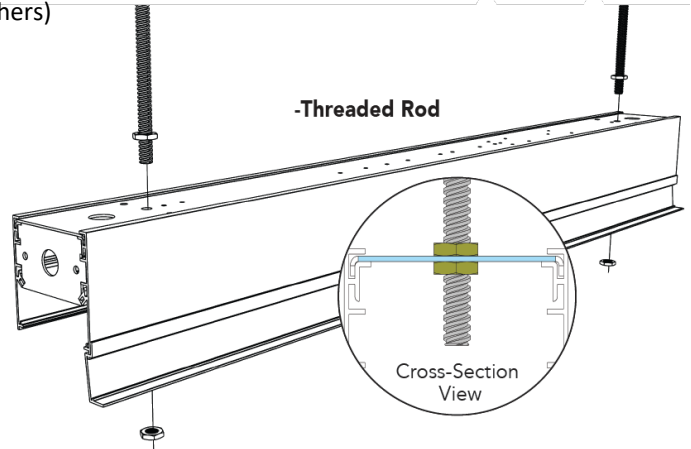


STEP 4: CLOSING LUMINAIRES

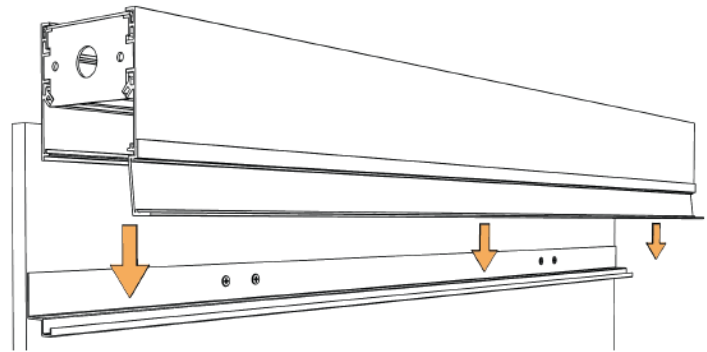


STEP 3: HANGING LUMINAIRES

3.1. Secure fixture to structure above (hardware provided by others)

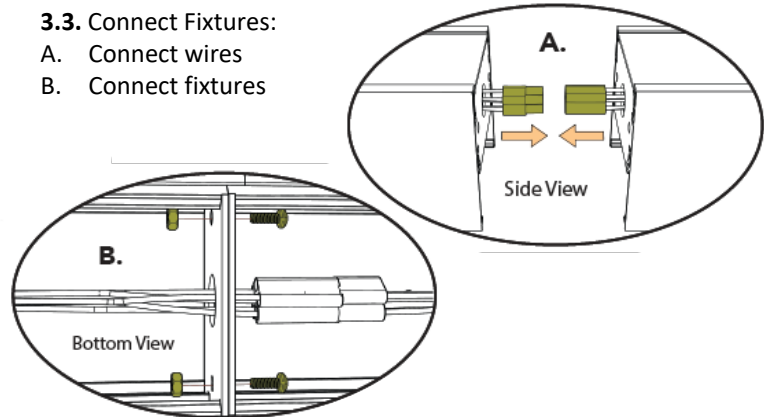


3.2. Set Fixture into Wall Rail



3.3. Connect Fixtures:

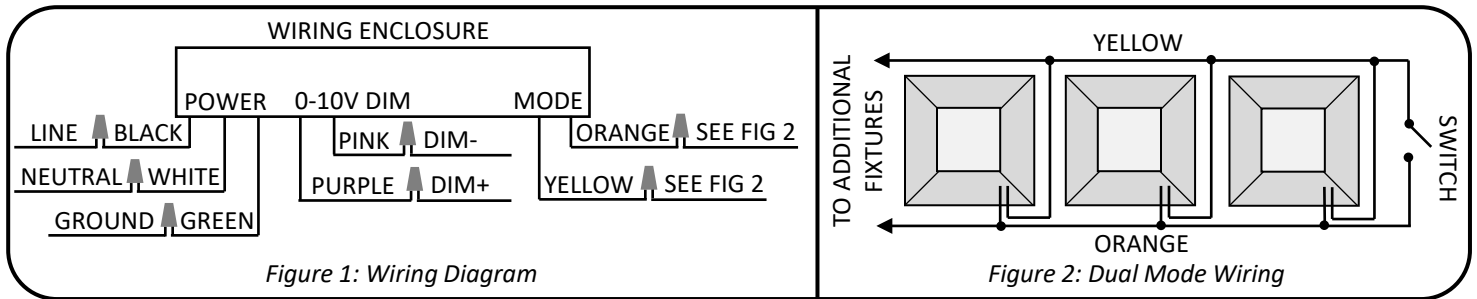
- A. Connect wires
- B. Connect fixtures



3.4. To connect power, please follow the instructions on page 4 titled "ELECTRICAL CONNECTIONS"

ELECTRICAL CONNECTIONS:

1. Connect the black fixture wire to line voltage, the white wire to neutral, and the green wire to ground. Do not remove or use a different power cord fitting than the one supplied.
2. The mode switching wiring is installed as follows: Connect the yellow wire from each fixture together and to one end of a switch. Connect the orange wire from each fixture together and to the other end of a switch. If using an occupancy sensor instead of a switch, refer to (INS-404) for wiring details.
3. Direct/Indirect fixture models designated with "DI" in the model number have duplicate wires for line voltage (black, white, and green), mode switching (yellow and orange), and dimming (purple and pink). Matching color wire pairs must be field connected for proper operation.



FINISHING INSTALLATION:

1. Replace the ballast cover if applicable.
2. Replace the lens if applicable.
3. Ensure supply voltage corresponds with the correct ballast/driver voltage.
4. Before powering up fixture, perform appropriate testing to ensure the fixture is properly grounded.
5. Apply power. Ensure that fixture can be turned on and off and switch between modes.

Directions for Use

Dual Mode wiring allows the unit to switch between Antimicrobial+Light Mode and Enhanced Antimicrobial Mode. The wiring is low voltage and comes wired as Normally Open, which means that the unit will be in its default Enhanced Antimicrobial Mode when the orange and yellow Dual Mode wires are disconnected.

Use 'Antimicrobial+Light Mode' when both continuous antimicrobial action and white light illumination are needed and 'Enhanced Antimicrobial Mode,' which is teal-violet in appearance and emits a higher dosage of Vyv's antimicrobial wavelengths, as an antimicrobial cleaning mode for when full illumination is not required.

For maximum antimicrobial effectiveness leave the light in "Enhanced Antimicrobial Mode" when white light illumination is not required.

Antimicrobial action stops when the unit is turned off entirely.

Maintenance Instructions

Turn power off before performing maintenance. Use a soft cloth to clean or dust the fixture. For heavy dirt or residue, use a soft cloth lightly dampened with soap and water or another mild cleanser. Warning: Do not use alcohol, abrasives or harsh solvents. The use of improper cleaning materials or methods can lead to degradation of the lens material which can inhibit the antimicrobial effect of the product.

For troubleshooting Tips, please contact Vyv.

Please refer to the most recent version of Vyv's Product Limited Warranty (LIT-027) to view Vyv's full warranty terms.

1-518-833-0261 • 11 British American Blvd, Floor 2, Latham, NY 12110 • vyv.tech
Vyv, Inc. reserves the right to upgrade and improve products without notice.