

## V3095 Perimeter Luminaire



**Application:** The Vyv V3095 Perimeter Luminaire provides lighting for both individual and continuous runs in indoor recessed perimeter applications available for T-Grid and Flanged mounting.

**Mode Switching:** Use 'Antimicrobial+Light Mode' when both continuous antimicrobial action and illumination are needed and 'Enhanced Antimicrobial Mode,' which emits a higher dosage of Vyv's antimicrobial wavelengths, as an antimicrobial cleaning mode for when full illumination is not required. See installation instructions (INS-461) for wiring details.

## Product Specifications

**Lens:** Microlinear frosted lens is standard.

**Housing:** The V3095 is constructed from an extruded aluminum housing with internal components made from die formed cold rolled steel.

**Finish:** White antimicrobial polyester powder coat standard.

**Electrical:** LEDs coupled with high efficiency drivers provide quality illumination. Fixtures supplied with 0-10V dimming down to 1% as standard. Other dimming options are available (Consult Factory).

**LED:** Patented Vyv LED package. The range of CCT (correlated color temperature) follows the color uniformity guidelines of the American National Standard regarding specifications for the chromaticity of solid-state lighting (SSL) products as per ANSI C78.377-2017.

**Approvals:** Fixtures are cETLus listed for Damp Location. EPA Est. 94839-RI-1. Covered by one or more of the following U.S. Patent Numbers: 9,333,274; 9,439,989; 9,713,223; 9,927,097; 10,357,582; 10,753,575



## Ordering

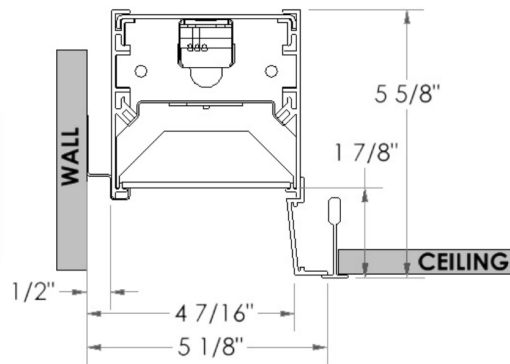
Project: \_\_\_\_\_ Date: \_\_\_\_\_  
 Luminaire Type: \_\_\_\_\_ Approved By: \_\_\_\_\_  
 Product Code: \_\_\_\_\_

Series	Mounting	Features	CCT	Size	Diffuser	Finish	Voltage
V3095	<b>T</b> T-Grid	<b>N</b> Dual Mode (Antimicrobial+Light Mode & Enhanced Antimicrobial Mode) <b>W</b> Antimicrobial +Light Mode	<b>30</b> 3000K <b>35</b> 3500K <b>40</b> 4000K	<b>2</b> 2' <b>3</b> 3' <b>4</b> 4' <b>5</b> 5' <b>6</b> 6' <b>7</b> 7' <b>8</b> 8' <b>XX</b> XX' (Specify Row Length)	<b>MFL</b> <b>MFL</b> Microlinear Frosted Lens	<b>WHT</b> White Antimicrobial Polyester Powder Coat <b>CA</b> Custom Colors (Consult Factory)	<b>UNV</b>
	<b>FL</b> Flanged						<b>UNV</b> 120/277V

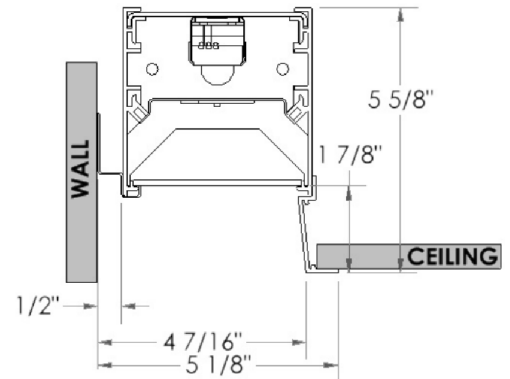
Options	
Wiring	
<b>BP</b>	In Line Fusing

## Dimensions

Consult Installation instructions for exact dimensions.



T-GRID



FLANGED

(FIXTURE SUPPORTED  
 BY THREADED ROD  
 NOT INCLUDED/BY OTHERS)

## Electrical

<b>Input Frequency</b>	50/60Hz
<b>Power Factor</b>	>.9
<b>Control</b>	On/Off via standard light switch Antimicrobial+Light Mode to Enhanced Antimicrobial Mode (optional) via low voltage switch or controls.

## Performance

<b>Watts/ft</b>	17.5
<b>Lumens/ft</b>	1,078
<b>Lumens/Watt</b>	62

Some options may not be available in all combinations. All fixture configurations subject to final factory approval.

Vyv will work with your facility to customize a design for lighting and antimicrobial action. Vyv, Inc. reserves the right to upgrade and improve products without notice.

SPECIFICATIONS AND DATA SUBJECT TO CHANGE WITHOUT NOTICE

Updated August 1, 2022