

## V3095 Perimeter Luminaire



**Application:** The Vyv V3095 Perimeter Luminaire provides lighting for both individual and continuous runs in indoor recessed perimeter applications available for T-Grid and Flanged mounting.

**Mode Switching:** Use 'Antimicrobial+Light Mode' when both continuous antimicrobial action and illumination are needed and 'Enhanced Antimicrobial Mode,' which emits a higher dosage of Vyv's antimicrobial wavelengths, as an antimicrobial cleaning mode for when full illumination is not required. See installation instructions (INS-461) for wiring details.

## Product Specifications

**Lens:** Microlinear frosted lens is standard.

**Housing:** The V3095 is constructed from an extruded aluminum housing with internal components made from die formed cold rolled steel.

**Finish:** White antimicrobial polyester powder coat standard.

**Electrical:** LEDs coupled with high efficiency drivers provide quality illumination. Fixtures supplied with 0-10V dimming down to 1% as standard. Other dimming options are available (Consult Factory).

**LED:** Patented Vyv LED package. The range of CCT (correlated color temperature) follows the color uniformity guidelines of the American National Standard regarding specifications for the chromaticity of solid-state lighting (SSL) products as per ANSI C78.377-2017.

**Approvals:** Fixtures are cETLus listed for Damp Location. EPA Est. 94839-RI-1. Covered by one or more of the following U.S. Patent Numbers: 9,333,274; 9,439,989; 9,713,223; 9,927,097; 10,357,582; 10,753,575



## Ordering

Project: \_\_\_\_\_ Date: \_\_\_\_\_  
 Luminaire Type: \_\_\_\_\_ Approved By: \_\_\_\_\_  
 Product Code: \_\_\_\_\_

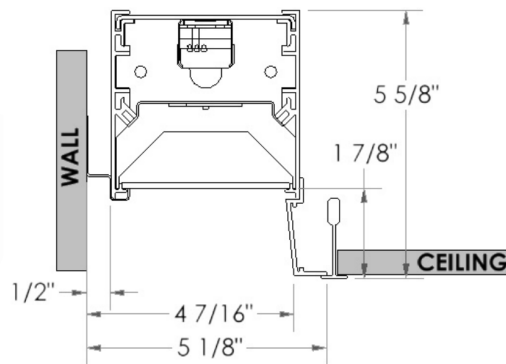
Series	Mounting	Features	CCT	Size	Diffuser	Finish	Voltage		
VS3095					<b>MFL</b>		<b>UNV</b>		
	<b>T</b>	T-Grid	<b>N</b> Dual Mode	<b>30</b> 3000K	<b>2</b> 2'	<b>MFL</b> Microlinear Frosted Lens	<b>UNV</b> 120/277V		
	<b>FL</b>	Flanged	(Antimicrobial+Light Mode & Enhanced Antimicrobial Mode)	<b>35</b> 3500K	<b>3</b> 3'				
				<b>40</b> 4000K	<b>4</b> 4'				
					<b>6</b> 6'				
					<b>8</b> 8'				
			<b>W</b> Antimicrobial +Light Mode		<b>XX</b> (Consult Factory for Custom Sizes)				<b>CA</b> Custom Colors (Consult Factory)

### Options

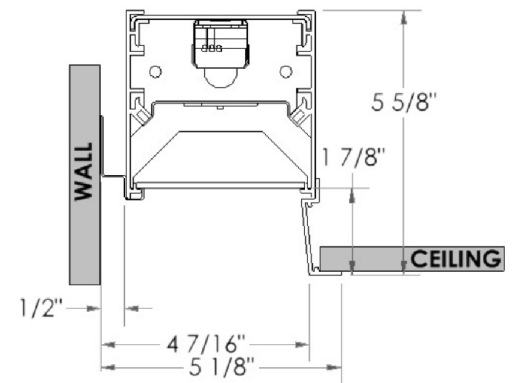
#### Wiring

**BP** In Line Fusing

## Dimensions



T-GRID



FLANGED

(FIXTURE SUPPORTED BY THREADED ROD NOT INCLUDED/BY OTHERS)

## Performance

<b>Watts/ft</b>	17.5
<b>Lumens/ft</b>	1,078
<b>Lumens/Watt</b>	62

## Electrical

<b>Input Frequency</b>	50/60Hz
<b>Power Factor</b>	>.9
<b>Control</b>	On/Off via standard light switch Antimicrobial+Light Mode to Enhanced Antimicrobial Mode (optional) via low voltage switch or controls.

Some options may not be available in all combinations. All fixture configurations subject to final factory approval.

Vyv will work with your facility to customize a design for lighting and antimicrobial action. Vyv, Inc. reserves the right to upgrade and improve products without notice.

**SPECIFICATIONS AND DATA SUBJECT TO CHANGE WITHOUT NOTICE**

Updated January 23, 2023