

NOTES:

- Installation should be completed by an individual familiar with the construction and operation of the luminaire.
- Installation of luminaire must be in accordance with nation and local building and electrical codes.
- Carefully read and follow all warnings and instructions before installing or servicing the luminaire.
- Do not restrict luminaire ventilation.
- Ensure luminaire is not covered with material that will prevent convection or conduction cooling.
- Do not exceed luminaire's maximum ambient temperature.
- Ensure LED luminaire has the correct polarity before installation.

⚠ IMPORTANT SAFETY INFORMATION: READ AND FOLLOW ALL INSTRUCTIONS:

Electric current can cause serious injury or death. For your safety follow these precautions:

- Product must be installed following all national and local codes by a qualified technician.
- Turn off power before product installation, servicing, and removal.
- Ensure supply voltage corresponds with the correct ballast/driver voltage.
- Avoid exposing wiring to metal edges and sharp objects.
- Properly ground the fixture and do not operate fixture without covers in place.

⚠ RISK OF FIRE:

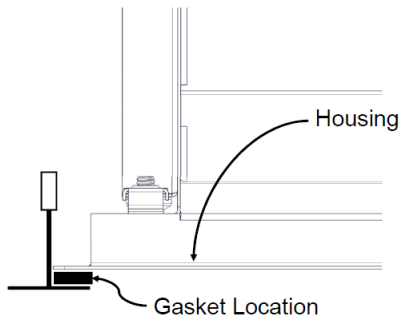
The Luminaire must be connected to the mains supply according to its ratings on the product label. Use only UL approved wire for input/output connections. Minimum size 18 AWG. Keep flammable and combustible materials away from the light source and/or lens. Use correctly rated supply conductors as indicated by product labeling.

TO PREVENT PERSONAL INJURY:

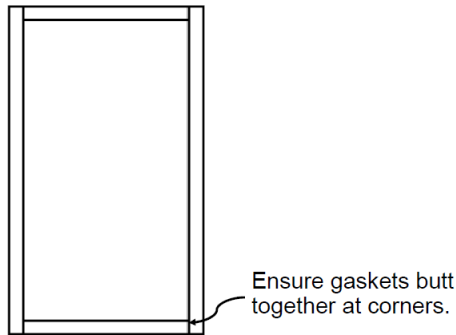
- Allow luminaire to cool before handling luminaire.
- Wear safety glasses and gloves when handling luminaire to avoid physical injury.
- LED lights are extremely bright – care should be taken not to look directly at the light source. Safety glasses with tinted lenses are recommended (ANSI Z87.1 or equivalent).
- Always support the weight of the luminaire.

Vyv is not responsible for any injuries due to the improper installation or handling of its products.

T-BAR Installation



Top View of Gasket Installation

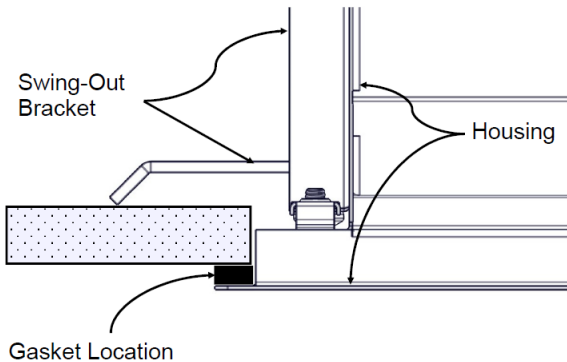


Caution:

When peeling the film from gasket, do not stretch gasket while applying to avoid retraction.

Gasket included to be applied by installer.

DRYWALL Installation



CEILING CUT-OUT OPENING	
1x4	11.25" x 47.25"
2x2	23.25" x 23.25"
2x4	23.25" x 47.25"

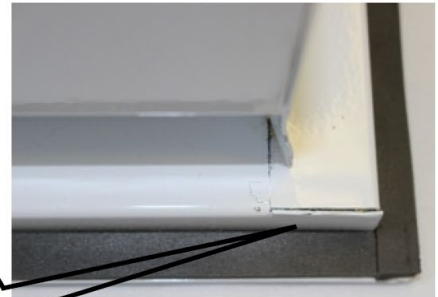
KIT No.	MODEL SIZE	QTY.	GASKET LENGTH
KIT00133	1x4	1 Roll	10 FT
KIT00134	2x4	1 Roll	12 FT
KIT00135	2x2	1 Roll	8 FT

For T-Bar Gasket Location



- Align gasket with edge of flange.
- Ensure gaskets butt together at corners.

For Drywall Gasket Location



- Align gasket with inside edges.
- Ensure gaskets butt together at corners.