

Read and understand these instructions before installing luminaire. This luminaire is intended for installation in accordance with the National Electrical Code and local regulations. To assure full compliance with local codes and regulations, check with your local electrical inspector before installation. To prevent electric shock, turn off electricity at main power supply before proceeding. Retain these instructions for maintenance reference.

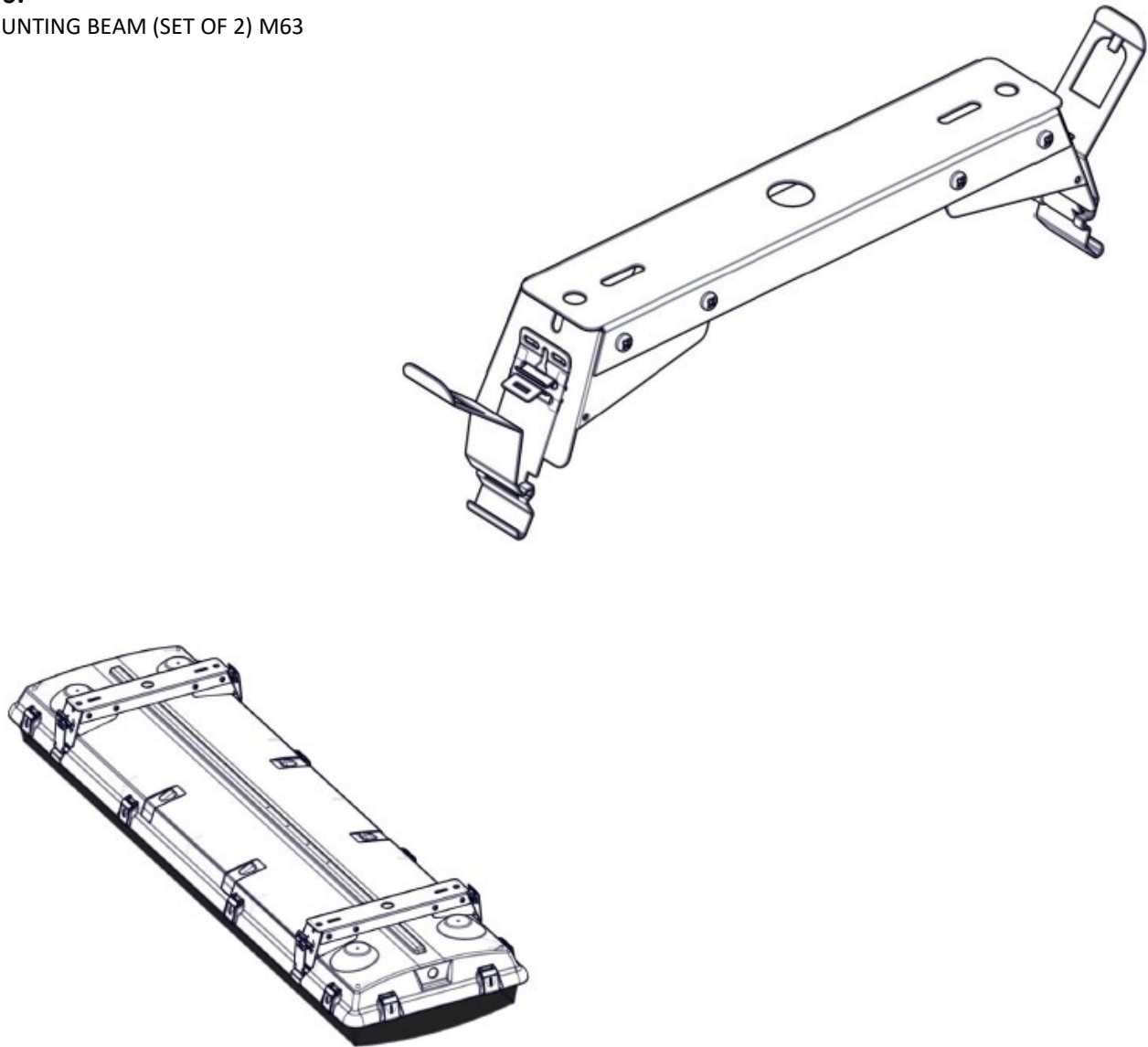
Vyv is not responsible for any injuries due to the improper installation or handling of its products.

NOTE: Fixtures must never be lifted from sides or ends, lift fixtures only by cradling in arms until they are supported uniformly by mounting system.

Mounting Spec

KIT00006:

RIGID MOUNTING BEAM (SET OF 2) M63



Generic models may be shown, Exact shape may vary with fixture selection. Instructions will remain true.

1-518-833-0261 • 13 British American Blvd, Latham, NY 12110 • vyv.tech
Vyv, Inc. reserves the right to upgrade and improve products without notice.