



VVLBFP Lightbar for Food Processing

NOTES: READ THE LABEL AND ANY OPERATING MANUAL BEFORE USING

- Installation should be completed by an individual familiar with the construction and operation of the luminaire.
- Installation of luminaire must be in accordance with national and local building and electrical codes.
- Carefully read and follow all warnings and instructions before installing or servicing the luminaire.
- Do not restrict luminaire ventilation.
- Ensure luminaire is not covered with material that will prevent convection or conduction cooling.
- Do not exceed luminaire's maximum ambient temperature.
- Ensure LED luminaire has the correct polarity before installation.

Use this unit only in the manner intended by the manufacturer. If you have questions, contact the manufacturer at the address or telephone number listed in the warranty. Before servicing or cleaning unit, switch power off at service panel and lock the service disconnecting means to prevent power from being switched on accidentally. When the service disconnecting means cannot be locked, securely fasten a prominent warning device, such as a tag, to the service panel.

⚠ RISK OF FIRE:

The Luminaire must be connected to the mains supply according to its ratings on the product label. Use only UL approved wire for input/output connections. Minimum size 18 AWG. Keep flammable and combustible materials away from the light source and/or lens. Use correctly rated supply conductors as indicated by product labeling.

TO PREVENT PERSONAL INJURY:

- Allow luminaire to cool before handling luminaire.
- Wear safety glasses and gloves when handling luminaire to avoid physical injury.
- LED lights are extremely bright – care should be taken not to look directly at the light source. Safety glasses with tinted lenses are recommended (ANSI Z87.1 or equivalent).
- Always support the weight of the luminaire.

⚠ IMPORTANT SAFETY INFORMATION: READ AND FOLLOW ALL INSTRUCTIONS:

Electric current can cause serious injury or death. For your safety follow these precautions:

- Installation work and electrical wiring must be done by a qualified person(s) in accordance with all applicable building codes and standards, including fire-related construction codes and standards.
- Turn off power before product installation, servicing, and removal.
- Ensure supply voltage corresponds with the correct ballast/driver voltage.
- Avoid exposing wiring to metal edges and sharp objects.
- Properly ground the fixture and go not operate fixture without covers in place.

PRECAUTIONS:

WARNING – UV radiation emitted from this device. Unintended use of the device, or damage to the housing, may result in exposure to ultraviolet radiation. Ultraviolet radiation may cause eye and skin irritation. Avoid exposing eyes and skin to ultraviolet radiation.

Vyv is not responsible for any injuries or damage to the product itself due to the improper installation or handling of its products.

NOTE:

- Please read through this document entirely before beginning installation.
- Suitable for wet locations.
- Follow all National Electric Codes (NEC) and local codes.

Installation Instructions

SUPPLIED MATERIALS:

1. VVLBFP series luminaire(s)
2. Leader cable(s) for connecting luminaire to AC power source (Required only for mini-change receptacle options)
3. Optional surface or wall mount bracket(s)

AVAILABLE MOUNTING OPTIONS:

The following mounting methods are available for this product and must be selected upon ordering of product unless specified as a *standard* offering:

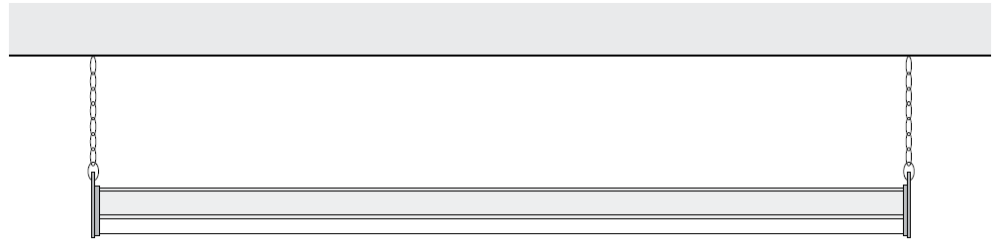
Code	Description
<i>Standard</i>	Cable Mount (actual cable/chain not included)
<u>MNT-SM</u>	Surface Mount Kit – Includes (2) stainless steel band mounts
<u>MNT-WM</u>	Wall Mount Kit – Includes (2) stainless steel 45-degree angle band mounts

CHAIN/CABLE MOUNT:

Mount the fixture(s) in the desired location using the chain/cable mount for suspended applications.

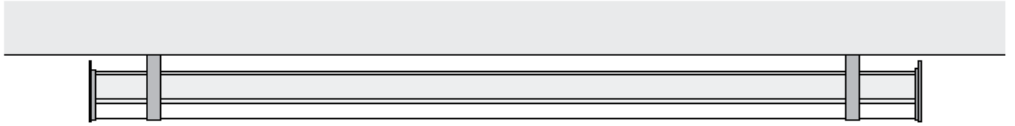
For chain/cable mounting, use the center mounting hole on the fixture.

Actual chain/cable(s) by others.



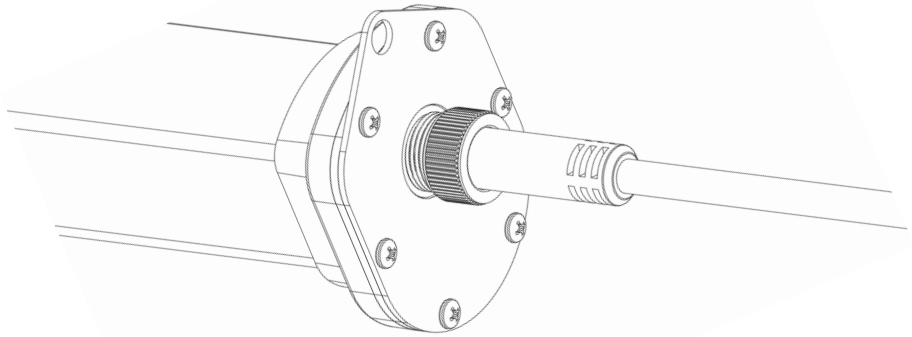
SURFACE/WALL MOUNT:

Mount the fixture(s) in the desired location using the surface or wall mount bracket to affix directly to the ceiling, wall, surface, etc.



MINI-CHANGE RECEPTACLE:

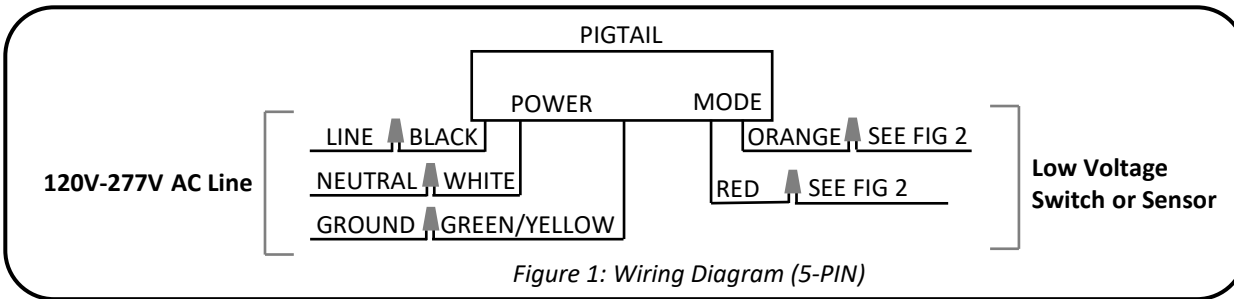
For the mini-change receptacle option, plug jumper or leader cable into the receptacle at the endcap of the VVLBFP. Twist the nut integrated into the cable until tight to lock and seal the connection.



ELECTRICAL CONNECTIONS: (5-PIN) REQUIRED FOR FEATURE SELECTION N (DUAL MODE)

Connect the black fixture wire to line voltage, the white wire to neutral, and the green/yellow wire to ground. The mode switching wiring is installed as follows: Connect the red wire from each fixture together and to one end of a switch. Connect the orange wire from each fixture together and to the other end of a switch. If using an occupancy sensor instead of a switch, refer to (INS-404) for wiring details.

5-PIN Wiring Connector (MCR5) can be used for Feature Selection N, W, or E. If used with W or E, the MODE pins/wires are not utilized.



Notated colors are only applicable if the Vyv supplied leader cable is used. Please refer to Figure 3 for the pinout diagram if supplying own cable.

Figure 1: Wiring Diagram (5-PIN)

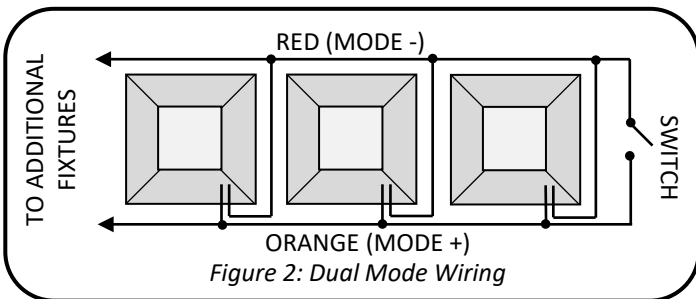


Figure 2: Dual Mode Wiring

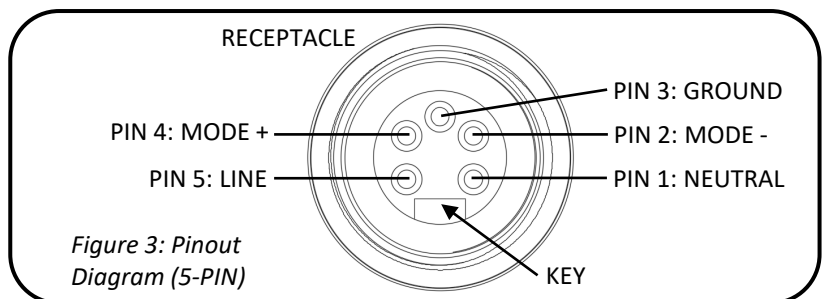
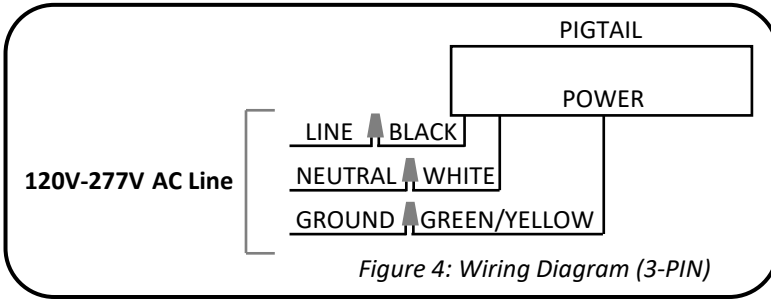


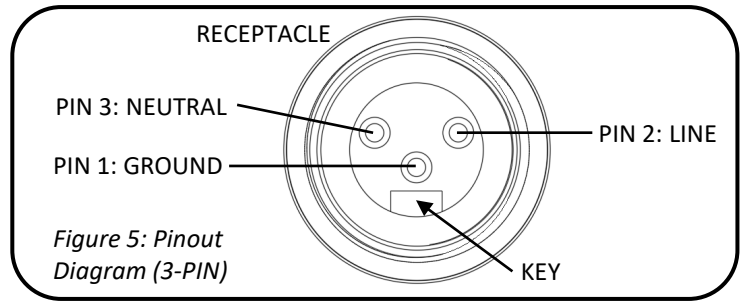
Figure 3: Pinout Diagram (5-PIN)

ELECTRICAL CONNECTIONS: (3-PIN) OPTIONAL FOR FEATURE SELECTION W or E

Connect the black fixture wire to line voltage, the white wire to neutral, and the green/yellow wire to ground. MODE wires are not utilized for the 3-PIN Wiring Connector (MCR3). 3-PIN is available for Feature Selection W or E only. It may not be used with Feature Selection N.



Notated colors are only applicable if the Vyv supplied leader cable is used. Please refer to Figure 5 for the pinout diagram if supplying own cable.



FINISHING INSTALLATION:

1. Ensure supply voltage corresponds with the correct ballast/driver voltage.
2. Before powering up fixture, perform appropriate testing to ensure the fixture is properly grounded.
3. Apply power. Ensure that fixture can be turned on and off.

Maintenance Instructions

Turn power off before performing maintenance. Please refer to (INS-457) Chemical Resistance Chart for a list of chemicals this product is resistant against.

Directions for Use

The use of this LED module is a supplement to, and not a substitute for, standard infection control practices. Users must continue to follow all current infection control practices, including those practices related to cleaning and disinfection of environmental surfaces.

When installed under guidance by Vyv Inc. and used continuously as a supplement to a comprehensive cleaning and disinfection protocol, Vyv Antimicrobial Light LED Modules reduce the amount of bacteria on hard non-porous surfaces in direct line-of-sight of the lights.

This product is intended for use in overhead lighting applications. Only install in lighting fixtures manufactured or approved by Vyv Inc. Some types of fixture coverings can reduce the effectiveness of these lights. Only use fixture covers composed of materials approved by Vyv Inc.

In the event that replacement of the LED module is necessary, follow the instructions in the operating manual for the lighting fixture.

OPERATION:

Dual Mode wiring allows the unit to switch between Antimicrobial+Light Mode and Enhanced Antimicrobial Mode. The wiring is low voltage and comes wired as Normally Open, which means that the unit will be in its default Enhanced Antimicrobial Mode when the orange and yellow Dual Mode wires are disconnected.

Use 'Antimicrobial+Light Mode' when both continuous antimicrobial action and white light illumination are needed, and 'Enhanced Antimicrobial Mode,' which is teal-violet in appearance and emits a higher dosage of Vyv's antimicrobial wavelengths, when full illumination is not required.

Refer to Installation Instruction Supplement: (INS-402) for single driver fixtures or (INS-403) for 2 driver system fixtures.

For maximum antimicrobial effectiveness leave the light in "Enhanced Antimicrobial Mode" when white light illumination is not required.

Antimicrobial action stops when the unit is turned off entirely.

POWER DATA:

LENGTH	WATTAGE (for both E and W modes)	AMPS @120V	AMPS @277V
2'	33.4	0.28	0.12
4'	65.1	0.54	0.24
8'	130.2	1.09	0.47

Disposal

For disposal of the LED module, dispose or recycle according to local applicable laws.

For troubleshooting Tips, please contact Vyv.

Please refer to the most recent version of Vyv's Product Limited Warranty (LIT-027) to view Vyv's full warranty terms.

1-518-833-0261 • 13 British American Blvd, Latham, NY 12110 • vyv.tech

Vyv, Inc. reserves the right to upgrade and improve products without notice. Data is subject to change.

