



### NOTES:

- Installation should be completed by an individual familiar with the construction and operation of the luminaire.
- Installation of luminaire must be in accordance with nation and local building and electrical codes.
- Carefully read and follow all warnings and instructions before installing or servicing the luminaire.
- Do not restrict luminaire ventilation.
- Ensure luminaire is not covered with material that will prevent convection or conduction cooling.
- Do not exceed luminaire's maximum ambient temperature.
- Ensure LED luminaire has the correct polarity before installation.

### **⚠ IMPORTANT SAFETY INFORMATION: READ AND FOLLOW ALL INSTRUCTIONS:**

Electric current can cause serious injury or death. For your safety follow these precautions:

- Product must be installed following all national and local codes by a qualified technician.
- Turn off power before product installation, servicing, and removal.
- Ensure supply voltage corresponds with the correct ballast/driver voltage.
- Avoid exposing wiring to metal edges and sharp objects.
- Properly ground the fixture and do not operate fixture without covers in place.

### **⚠ RISK OF FIRE:**

The Luminaire must be connected to the mains supply according to its ratings on the product label. Use only UL approved wire for input/output connections. Minimum size 18 AWG. Keep flammable and combustible materials away from the light source and/or lens. Use correctly rated supply conductors as indicated by product labeling.

### **TO PREVENT PERSONAL INJURY:**

- Allow luminaire to cool before handling luminaire.
- Wear safety glasses and gloves when handling luminaire to avoid physical injury.
- LED lights are extremely bright – care should be taken not to look directly at the light source. Safety glasses with tinted lenses are recommended (ANSI Z87.1 or equivalent).
- Always support the weight of the luminaire.

**Vyv is not responsible for any injuries due to the improper installation or handling of its products.**

### NOTE:

- Instructions do not cover all details and all possible product configurations
- This product has maximum rated output of 56Vdc. This output complies with the definition of Class 2 per NEC/Canadian Electrical Code. This output cannot be accessible based on maximum voltage restrictions for Class 2 circuits in NEC/Canadian Electrical Code. This product complies with this requirement since the installation instruction requires installation in restricted access area.

## Installation Instructions

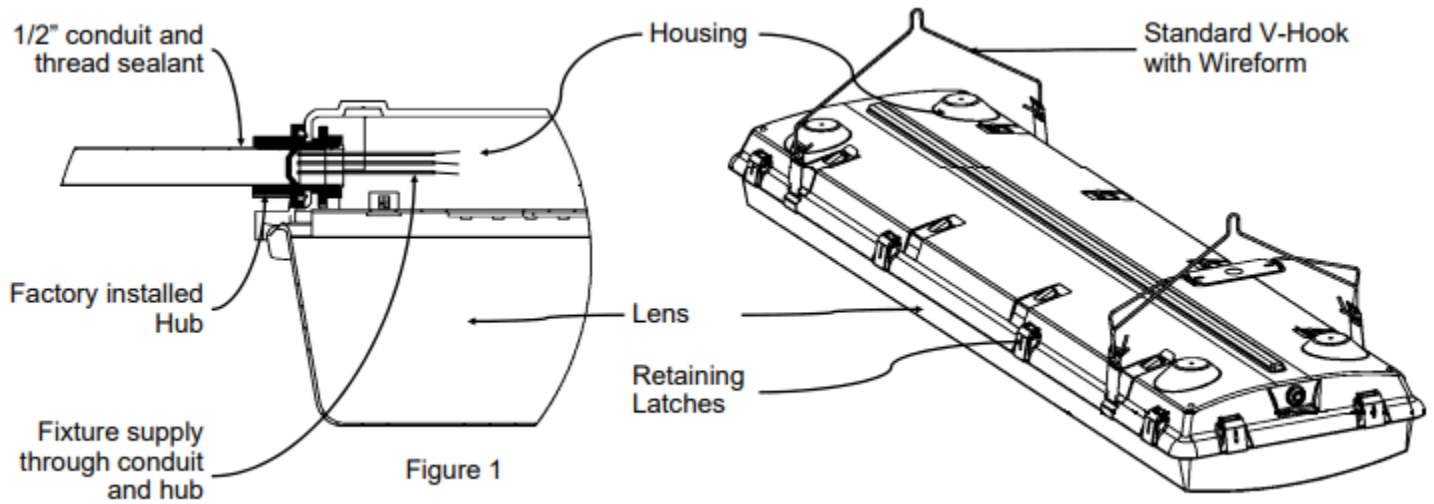
### AVAILABLE MOUNTING OPTIONS:

Please see the separate Supplemental Installation Instructions based on the selected mounting method kit. The following mounting methods are available for this product and must be selected upon ordering of product:

Code	Description	Supplemental Installation Instructions
<i>Standard</i>	STAINLESS STEEL V-HOOK WITH HOOK HANGERS	N/A
<a href="#"><u>KIT00001</u></a>	CHAIN SET (2) 4FT W/S-HOOKS.M10	INS-444
<a href="#"><u>KIT00006</u></a>	RIGID MOUNTING BEAM.M63	INS-448
<a href="#"><u>KIT00013</u></a>	CEILING PLATE W/ WIREFORM.M39	INS-449
<a href="#"><u>KIT00040</u></a>	CHAIN SET (2) 6FT.M10 W/S-HOOKS (4)	INS-451
<a href="#"><u>KIT00042</u></a>	CHAIN SET (2) 12FT.M10 W/S-HOOKS (4)	INS-452
<a href="#"><u>KIT00092</u></a>	25 DEGREE BRACKET.M43(25)	
<a href="#"><u>KIT00093</u></a>	45 DEGREE BRACKET.M43(45)	

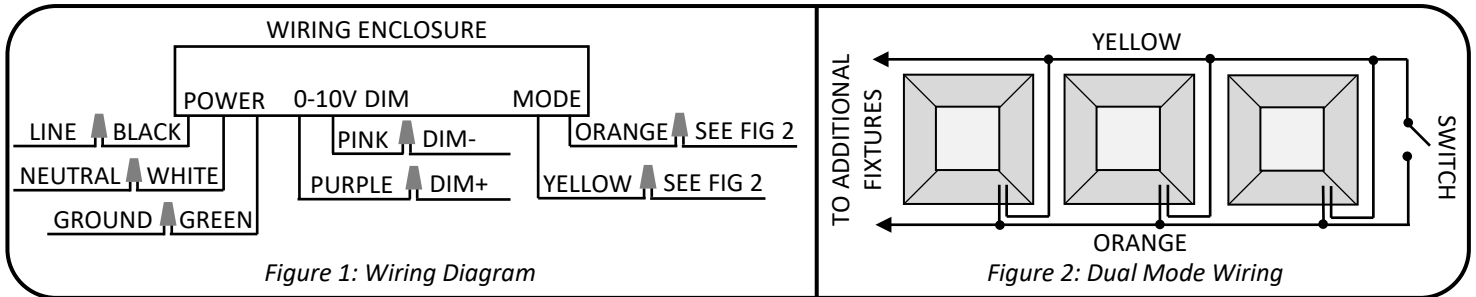
## STANDARD MOUNTING: STAINLESS STEEL V-HOOK WITH HOOK HANGERS

1. Remove lens from plastic housing by opening the retaining latches. (12x for 48”).
2. Remove gear tray/cover by depressing the 2 clip retainers at each end to unlock and hang tray with use of integrated tether cable.
3. Install the fixture to building structure utilizing the standard V-Hook bracket. Optional mounting kits are also available.
4. Do not puncture the housing. This will void wet location listing.
5. Make all wiring connections in the fixture. Please see page 3 for wiring details.
6. If option code B2 is chosen, attach a sealed 1/2” EMT conduit to supplied mounting hub(s). [Figure 1]
7. Re-install the gear tray/cover and the lens.



## ELECTRICAL CONNECTIONS:

1. Remove the ballast cover and make the electrical connections to the power supply. Connect the black fixture wire to line voltage, the white wire to neutral, and the green wire to ground. Do not remove or use a different power cord fitting than the one supplied.
2. The mode switching wiring is installed as follows: Connect the yellow wire from each fixture together and to one end of a switch. Connect the orange wire from each fixture together and to the other end of a switch. If using an occupancy sensor instead of a switch, refer to (INS-404) for wiring details.
3. For units containing the Emergency Battery Pack (EBP) option, refer to the wiring diagram provided with the unit (INS-410).



## FINISHING INSTALLATION:

1. Replace the ballast cover if applicable.
2. Replace the lens if applicable.
3. Ensure supply voltage corresponds with the correct ballast/driver voltage.
4. Before powering up fixture, perform appropriate testing to ensure the fixture is properly grounded.
5. Apply power. Ensure that fixture can be turned on and off and switch between modes.

## Directions for Use

Dual Mode wiring allows the unit to switch between Antimicrobial+Light Mode and Enhanced Antimicrobial Mode. The wiring is low voltage and comes wired as Normally Open, which means that the unit will be in its default Enhanced Antimicrobial Mode when the orange and yellow Dual Mode wires are disconnected.

Use 'Antimicrobial+Light Mode' when both continuous antimicrobial action and white light illumination are needed and 'Enhanced Antimicrobial Mode,' which is teal-violet in appearance and emits a higher dosage of Vyv's antimicrobial wavelengths, as an antimicrobial cleaning mode for when full illumination is not required.

Refer to Installation Instruction Supplement: (INS-402) for single driver fixtures or (INS-403) for 2 driver system fixtures.

For maximum antimicrobial effectiveness leave the light in "Enhanced Antimicrobial Mode" when white light illumination is not required.

Antimicrobial action stops when the unit is turned off entirely.

## Maintenance Instructions

Turn power off before performing maintenance. Use a soft cloth to clean or dust the fixture. For heavy dirt or residue, use a soft cloth lightly dampened with soap and water or another mild cleanser. Warning: Do not use alcohol, abrasives or harsh solvents. The use of improper cleaning materials or methods can lead to degradation of the lens material which can inhibit the antimicrobial effect of the product.

**For troubleshooting Tips, please contact Vyv.**

Please refer to the most recent version of Vyv's Product Limited Warranty (LIT-027) to view Vyv's full warranty terms.

1-518-833-0261 • 13 British American Blvd, Latham, NY 12110 • vyv.tech  
Vyv, Inc. reserves the right to upgrade and improve products without notice.