



NOTES:

- Installation should be completed by an individual familiar with the construction and operation of the luminaire.
- Installation of luminaire must be in accordance with nation and local building and electrical codes.
- Carefully read and follow all warnings and instructions before installing or servicing the luminaire.
- Do not restrict luminaire ventilation.
- Ensure luminaire is not covered with material that will prevent convection or conduction cooling.
- Do not exceed luminaire's maximum ambient temperature.
- Ensure LED luminaire has the correct polarity before installation.

⚠ IMPORTANT SAFETY INFORMATION: READ AND FOLLOW ALL INSTRUCTIONS:

Electric current can cause serious injury or death. For your safety follow these precautions:

- Product must be installed following all national and local codes by a qualified technician.
- Turn off power before product installation, servicing, and removal.
- Ensure supply voltage corresponds with the correct ballast/driver voltage.
- Avoid exposing wiring to metal edges and sharp objects.
- Properly ground the fixture and do not operate fixture without covers in place.

⚠ RISK OF FIRE:

The Luminaire must be connected to the mains supply according to its ratings on the product label. Use only UL approved wire for input/output connections. Minimum size 18 AWG. Keep flammable and combustible materials away from the light source and/or lens. Use correctly rated supply conductors as indicated by product labeling.

TO PREVENT PERSONAL INJURY:

- Allow luminaire to cool before handling luminaire.
- Wear safety glasses and gloves when handling luminaire to avoid physical injury.
- LED lights are extremely bright – care should be taken not to look directly at the light source. Safety glasses with tinted lenses are recommended (ANSI Z87.1 or equivalent).
- Always support the weight of the luminaire.

Vyv is not responsible for any injuries due to the improper installation or handling of its products.

NOTE:

- The models requires an accurate cutout of the luminaire opening. It is essential that the opening room side edge be flat to ensure the integrity of the seal.
- Use 1-5/8 Unistrut (not included) or equivalent support beams on all four sides above the opening edge. The support structure should be suitably rigid and secured to support the weight of the luminaire. (Minimum thickness of ceiling and framing is 1 1/2", maximum is 2 3/4").

Installation Instructions

AVAILABLE MOUNTING OPTIONS:

The following mounting methods are available for this product:

Code	Description
N/A	Hard Ceiling Flange Mounting
N/A	Recessed Grid (T-Bar) Mounting

Please see INS-420 for Gasket Installation Instructions

HARD CEILING FLANGE MOUNTING:

Note:

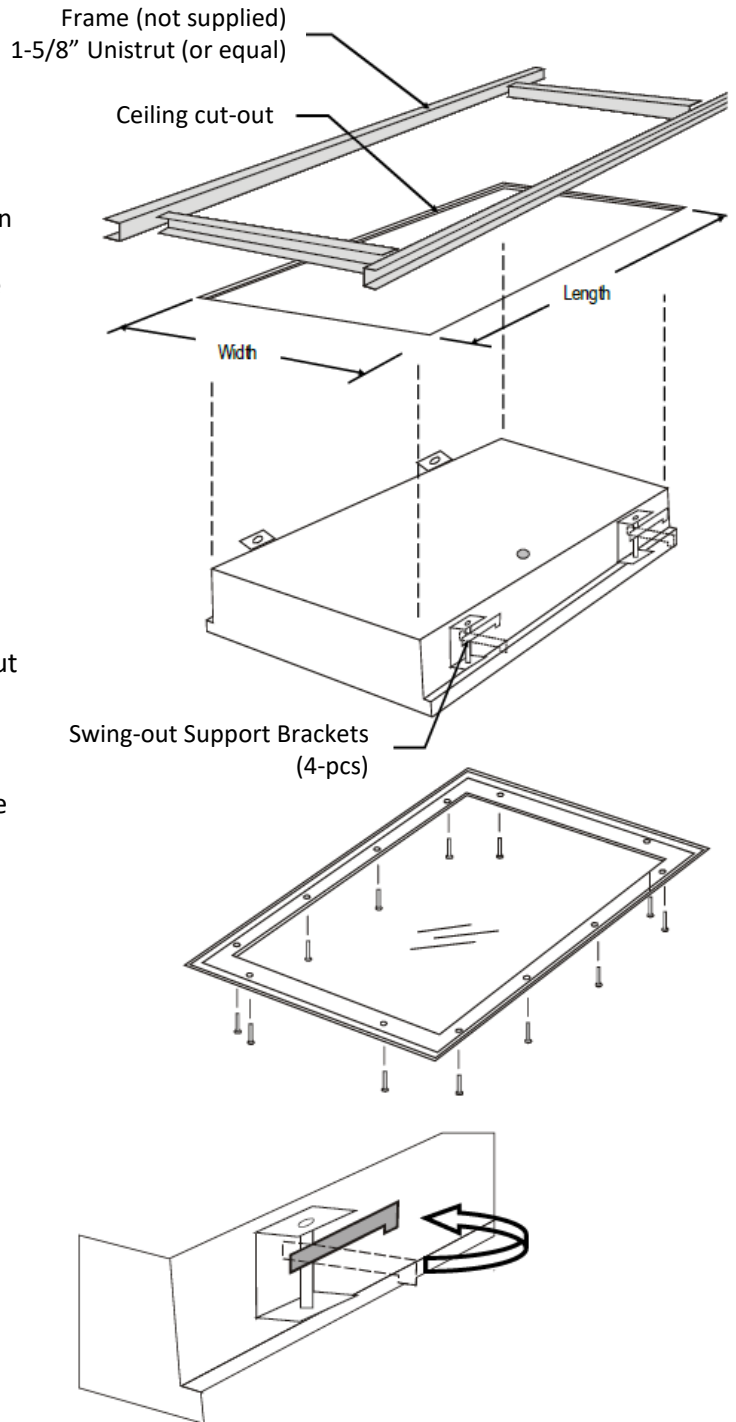
- The model requires an accurate cutout of the luminaire opening. It is essential that the opening room side edge be flat to ensure the integrity of the seal.
- Use 1-5/8 Unistrut (not included) or equivalent support beams on all four sides above the opening edge. The support structure should be suitably rigid and secured to support the weight of the luminaire. (Minimum thickness of ceiling and framing is 1 1/2". Maximum is 2 3/4").

Mounting:

1. Disconnect electrical power intended to be connected to the luminaire.
2. Locate and cut the required opening in the ceiling.
3. Install and secure the required support structure.
4. Remove the lens and door assembly by removing all twelve self-sealing screws from the luminaire.
5. Insert the luminaire into the ceiling then extend the swing-out brackets above the support structure. Tighten all swing-out brackets to ensure a tight and continuous seal on the room side of the opening.
6. Remove the cover and make the electrical connections to the power supply. Do not remove or use a different power cord fitting than the one supplied. Please see page 4 for electrical connections.
7. Replace the cover.
8. Replace the lens and door assembly with the original self-sealing screws. Tighten to a maximum torque of 10 in-lbs. Ensure that the door gasket makes a continuous seal to the ceiling surface.

Ceiling Cut-Out Dimensions:

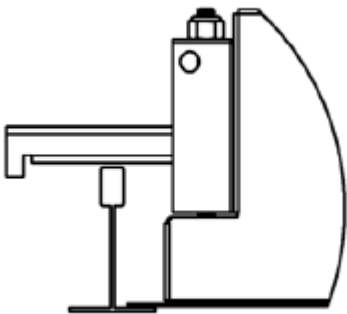
Size	Width	Length
1x4	10-7/8 in	46-7/8 in
2x2	22-7/8 in	22-7/8 in
2x4	22-7/8 in	46-7/8 in



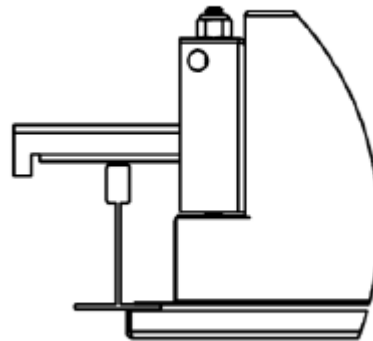
RECESSED GRID (T-BAR) MOUNTING:

Mounting:

1. With fixture body resting face up on a stable surface, open doorframe and remove internal reflector(s).
2. Removal of door hinge cable from housing is advised. Slide cable through slot to disconnect door from housing. Set door aside in a clean, safe place.
3. Locate provided power entry hole for supply connection.
4. A: For Hazardous Locations: Attach provided $\frac{1}{2}$ " Hub to hole from outside being sure that the gasket mates with the outer surface of the fixture. Tighten securely to housing using the nut provided. (Use only the one (1) hub provided) Conduit and seal-offs are not provided and may be required.
B: For ordinary locations: Create the supply entrance by securing a conduit fitting to $\frac{1}{2}$ " trade size hole.
5. Remove all debris from the inside of the fixture.
6. Prepare a mounting means capable of reliably supporting more than the weight of the fixture according to applicable building codes. Ceiling Grid size is standard for 1" & 1.5" T-bar. Please specify other sizes when ordering.
7. Invert fixture and insert through ceiling opening and lay fixture centered on T-Bar. (For cleanrooms, verify that the grid has a gasket that will contact the fixture flange) This step may require two workers.
8. Adjust mounting Swing-out support bracket(s) on housing to overlap T-bar and support fixture on center web of T-bar. Tighten $\frac{1}{4}$ -20 screws to transfer weight to T-bar, making sure gasket is compressed and grid is level, without deformation.
9. Secure to structure using seismic support cables/wires to holes on Swing-out support brackets. (Consult local code for requirements for your geographic area) Note: This and all other hardware should be plated or stainless steel if installed in a wet or damp location.
10. Rough in supply conduit and connections according to the NEC/CEC and local requirements using minimum 90C supply wiring materials.
11. Connect grounding conductor to fixture grounding point.
12. Remove any protective films from the lens or surfaces as provided.
13. Replace reflector and secure by tightening screws or nuts.
14. If doorframe hinge cables were disconnected, reattach at this time. (Note: Cable supported doors are reversible)
15. Align door with housing and start screws by hand, being careful not to cross-thread screws. Start process at two opposite corners for best results.
16. Tightly secure doorframe using a hand screwdriver.
 - a) Do not overtighten. Maximum 10 inch-pounds torque.
 - b) Ensure that the door gasket makes a continuous seal to the ceiling t-bar surface (overlapping door style) or fixture housing (inset door style)
17. Please see page 4 for electrical connections.



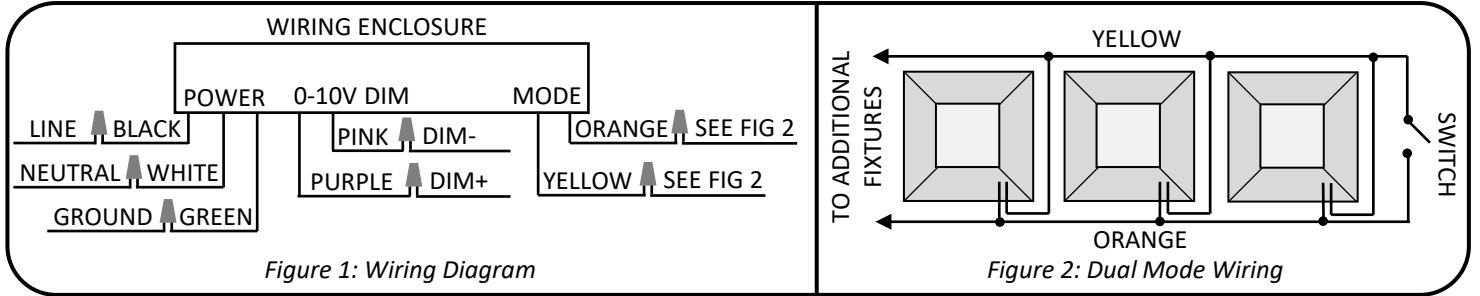
GRID MOUNTING INSET



GRID MOUNTING OVERLAP

ELECTRICAL CONNECTIONS:

1. Remove the ballast cover and make the electrical connections to the power supply. Connect the black fixture wire to line voltage, the white wire to neutral, and the green wire to ground. Do not remove or use a different power cord fitting than the one supplied.
2. The mode switching wiring is installed as follows: Connect the yellow wire from each fixture together and to one end of a switch. Connect the orange wire from each fixture together and to the other end of a switch. If using an occupancy sensor instead of a switch, refer to (INS-404) for wiring details.
3. For units containing the Emergency Battery Pack (EBP) option, refer to the wiring diagram provided with the unit (INS-410).



FINISHING INSTALLATION:

1. Replace the ballast cover if applicable.
2. Replace the lens if applicable.
3. Ensure supply voltage corresponds with the correct ballast/driver voltage.
4. Before powering up fixture, perform appropriate testing to ensure the fixture is properly grounded.
5. Apply power. Ensure that fixture can be turned on and off and switch between modes.

Directions for Use

Dual Mode wiring allows the unit to switch between Antimicrobial+Light Mode and Enhanced Antimicrobial Mode. The wiring is low voltage and comes wired as Normally Open, which means that the unit will be in its default Enhanced Antimicrobial Mode when the orange and yellow Dual Mode wires are disconnected.

Use 'Antimicrobial+Light Mode' when both continuous antimicrobial action and white light illumination are needed and 'Enhanced Antimicrobial Mode,' which is teal-violet in appearance and emits a higher dosage of Vyv's antimicrobial wavelengths, as an antimicrobial cleaning mode for when full illumination is not required.

Refer to Installation Instruction Supplement: (INS-402) for single driver fixtures or (INS-403) for 2 driver system fixtures.

For maximum antimicrobial effectiveness leave the light in "Enhanced Antimicrobial Mode" when white light illumination is not required.

Antimicrobial action stops when the unit is turned off entirely.

Maintenance Instructions

Turn power off before performing maintenance. Use a soft cloth to clean or dust the fixture. For heavy dirt or residue, use a soft cloth lightly dampened with soap and water or another mild cleanser. Warning: Do not use alcohol, abrasives or harsh solvents. The use of improper cleaning materials or methods can lead to degradation of the lens material which can inhibit the antimicrobial effect of the product.

For troubleshooting Tips, please contact Vyv.

Please refer to the most recent version of Vyv's Product Limited Warranty (LIT-027) to view Vyv's full warranty terms.

1-518-833-0261 • 13 British American Blvd, Latham, NY 12110 • vyv.tech
Vyv, Inc. reserves the right to upgrade and improve products without notice.