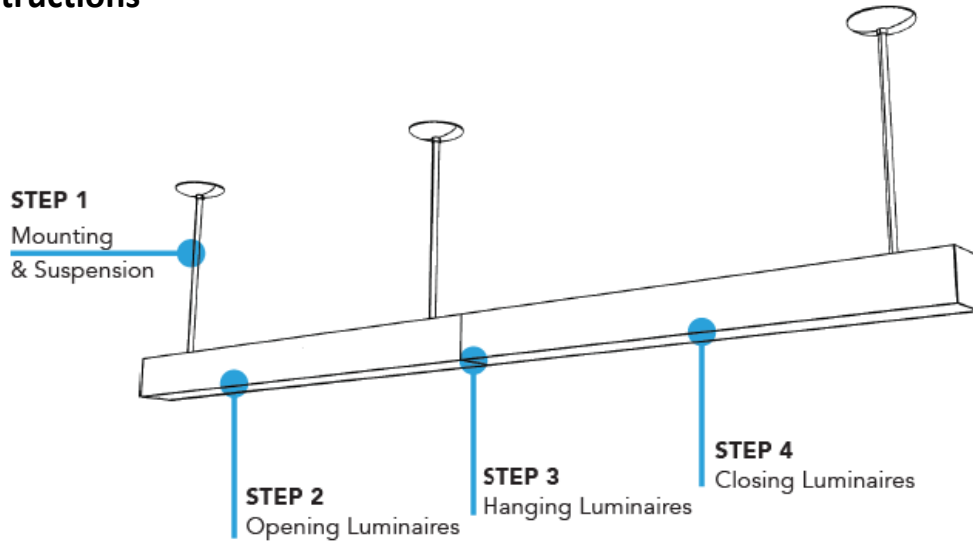


Read and understand these instructions before installing luminaire. This luminaire is intended for installation in accordance with the National Electrical Code and local regulations. To assure full compliance with local codes and regulations, check with your local electrical inspector before installation. To prevent electric shock, turn off electricity at main power supply before proceeding. Retain these instructions for maintenance reference.

Vyv is not responsible for any injuries due to the improper installation or handling of its products.

NOTE: Fixtures must never be lifted from sides or ends, lift fixtures only by cradling in arms until they are supported uniformly by mounting system.

Installation Instructions

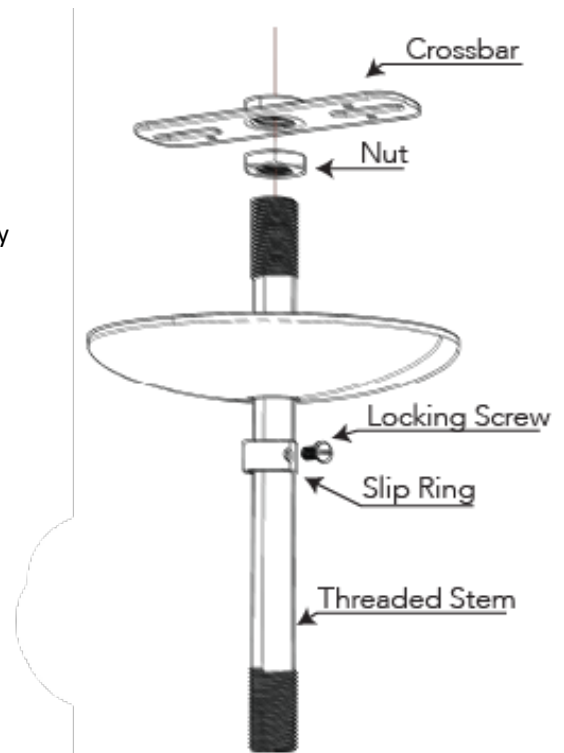


PENDANT MOUNT:

STEP 1: MOUNTING & SUSPENSION

Layout the Fixture as indicated on plans. Prepare mounting location.

- A. At mounting location install Crossbar to J-Box. Be certain J-box is supported by structural ceiling.
- B. Thread Nut onto Stem and thread into strap Coupler and tighten to secure.
NOTE: If the location will be used for power feed, extend wire through stem.
- C. Bring the Canopy up to the ceiling level and secure it to the Stem using Set Screw in the Slip Ring.

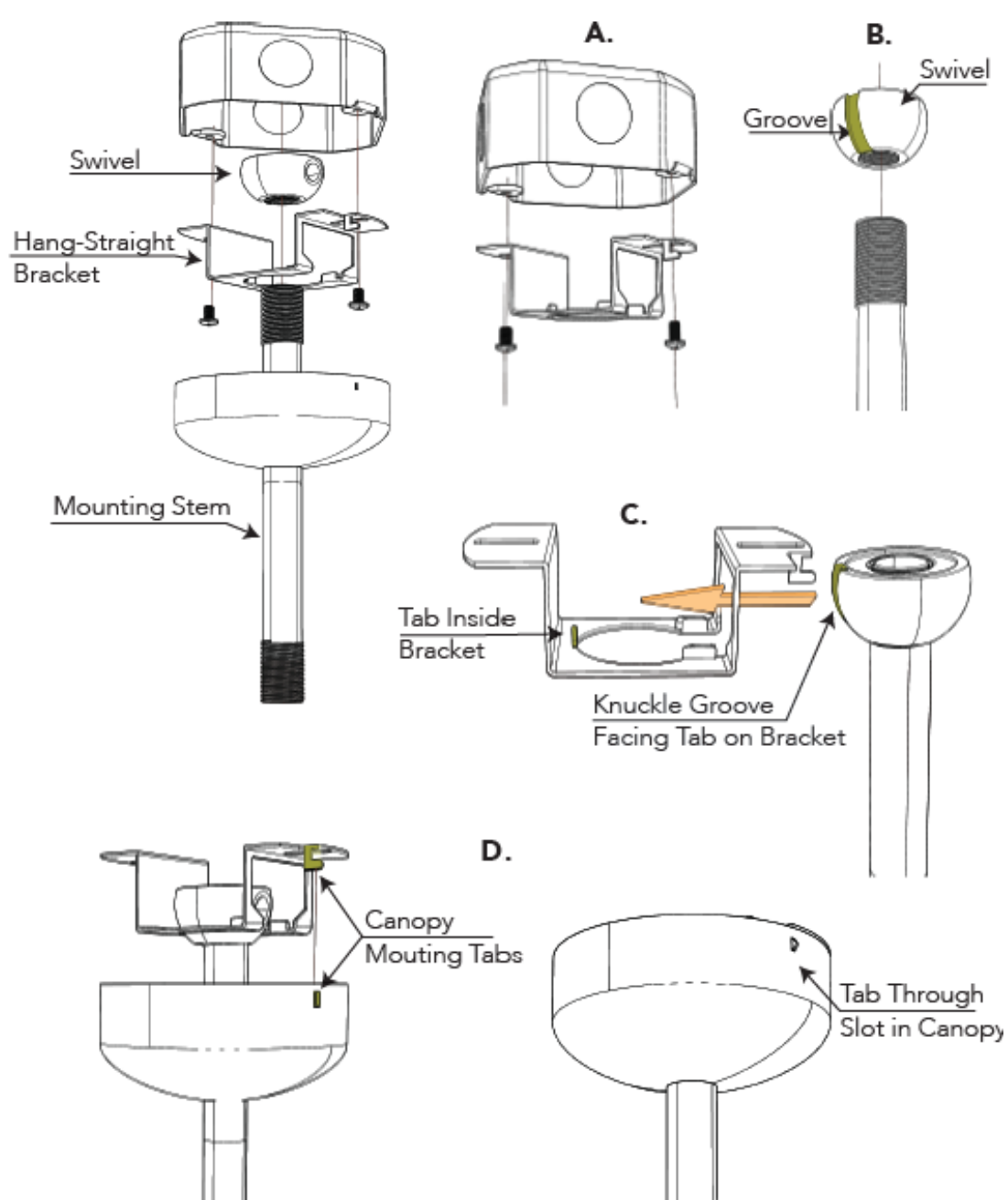


SWIVEL PENDANT MOUNT:

STEP 1: MOUNTING & SUSPENSION

Layout the Fixture as indicated on plans. Prepare mounting location.

- A. At mounting location install Hang-Straight Bracket to J-Box. be certain J-box is supported by structural ceiling.
NOTE: If the location will be used for power feed, extend wire through stem.
- B. Thread Pendant into Swivel.
- C. Install Swivel with system by passing through opening at side of Hang-straight bracket, aligning groove with tab on side of bracket. Note Groove alongside of Swivel. This groove must ride on the tab inside hang straight bracket.
- D. Bring Canopy up to bracket and clip onto mounting tabs at sides of hang-straight bracket.

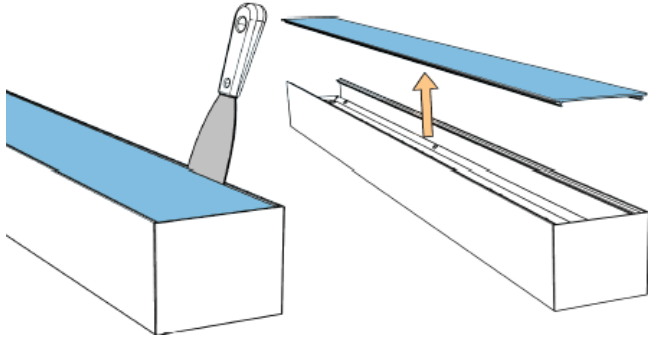


PENDANT MOUNT/SWIVEL PENDANT MOUNT:

STEP 2: OPENING LUMINAIRES

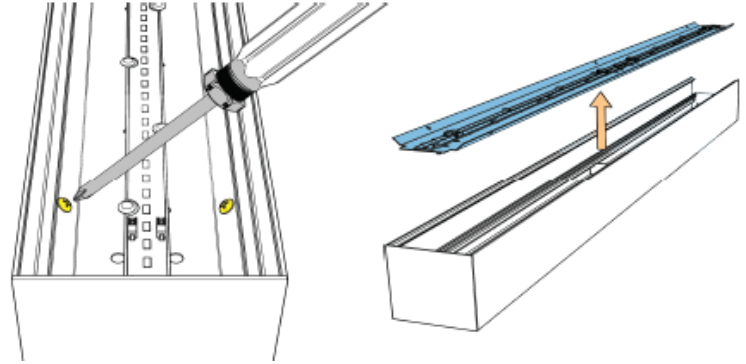
1. Remove Snap-In Diffuser:

- Insert a putty knife in the gap between the diffuser and the Fixture and carefully pry the diffuser.
- Set aside all diffusers to prevent from getting dirty or damaged



2. Remove LED Tray Assembly:

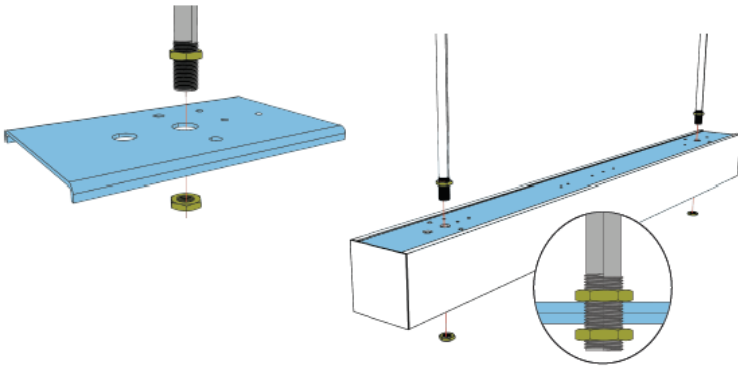
- To remove the LED Tray Assembly, locate all the screws inside the fixture.
- Using a Phillips screwdriver, remove all screws and set them aside.
- Carefully remove the LED tray assembly.



STEP 3: HANGING LUMINAIRES

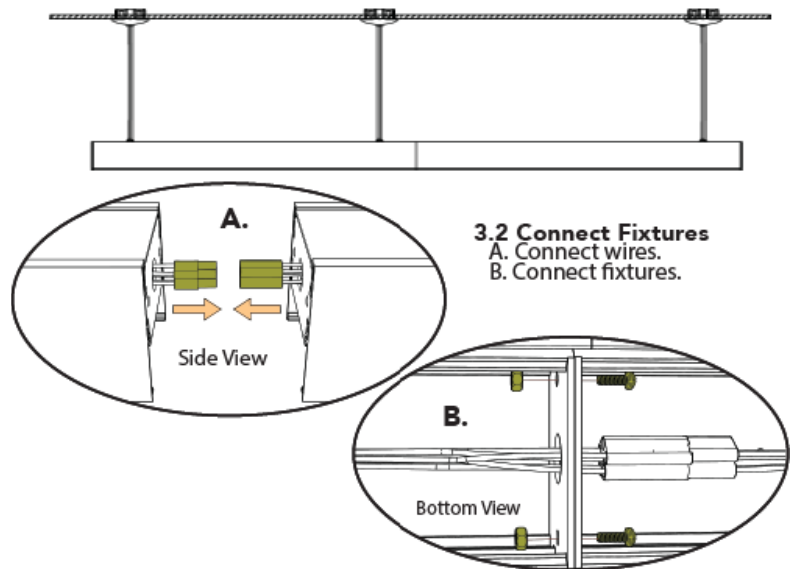
1. Hanging to Mounting Stem:

- Thread Hex Nut onto Stem
- Pass threaded portion through fixture at mounting location.
- Install Hex Nut, tightening to assure secure installation.



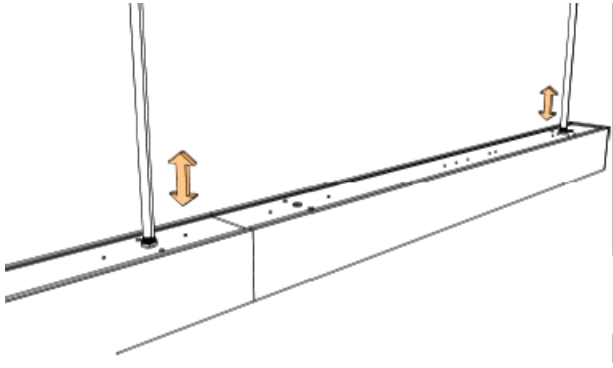
2. Connect Fixtures:

- A. Connect wires.
- B. Connect Fixtures



3. Leveling Luminaires:

- Level fixture section by adjusting hex nut positions on stems



4. Connect Power: ELECTRICAL CONNECTIONS

1. Connect the black fixture wire to line voltage, the white wire to neutral, and the green wire to ground. Do not remove or use a different power cord fitting than the one supplied.
2. The mode switching wiring is installed as follows: Connect the yellow wire from each fixture together and to one end of a switch. Connect the orange wire from each fixture together and to the other end of a switch. If using an occupancy sensor instead of a switch, refer to (INS-404) for wiring details.

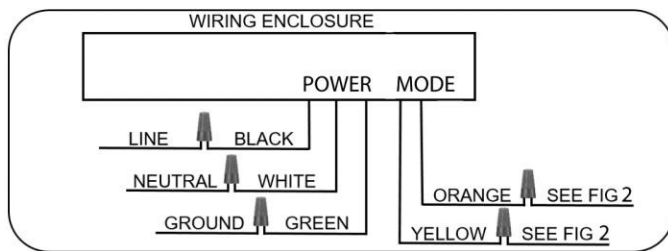


Figure 1: Wiring Diagram

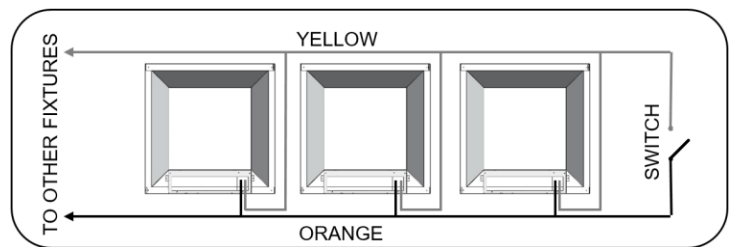


Figure 2: Dual Mode Wiring

STEP 4: CLOSING LUMINAIRES

