



### NOTES:

- Installation should be completed by an individual familiar with the construction and operation of the luminaire.
- Installation of luminaire must be in accordance with nation and local building and electrical codes.
- Carefully read and follow all warnings and instructions before installing or servicing the luminaire.
- Do not restrict luminaire ventilation.
- Ensure luminaire is not covered with material that will prevent convection or conduction cooling.
- Do not exceed luminaire's maximum ambient temperature.
- Ensure LED luminaire has the correct polarity before installation.

### **⚠ IMPORTANT SAFETY INFORMATION: READ AND FOLLOW ALL INSTRUCTIONS:**

Electric current can cause serious injury or death. For your safety follow these precautions:

- Product must be installed following all national and local codes by a qualified technician.
- Turn off power before product installation, servicing, and removal.
- Ensure supply voltage corresponds with the correct ballast/driver voltage.
- Avoid exposing wiring to metal edges and sharp objects.
- Properly ground the fixture and do not operate fixture without covers in place.

### **⚠ RISK OF FIRE:**

The Luminaire must be connected to the mains supply according to its ratings on the product label. Use only UL approved wire for input/output connections. Minimum size 18 AWG. Keep flammable and combustible materials away from the light source and/or lens. Use correctly rated supply conductors as indicated by product labeling.

### **TO PREVENT PERSONAL INJURY:**

- Allow luminaire to cool before handling luminaire.
- Wear safety glasses and gloves when handling luminaire to avoid physical injury.
- LED lights are extremely bright – care should be taken not to look directly at the light source. Safety glasses with tinted lenses are recommended (ANSI Z87.1 or equivalent).
- Always support the weight of the luminaire.

**Vyv is not responsible for any injuries due to the improper installation or handling of its products.**

**NOTE:** Fixtures must never be lifted from sides or ends, lift fixtures only by cradling in arms until they are supported uniformly by mounting system.

## Installation Instructions

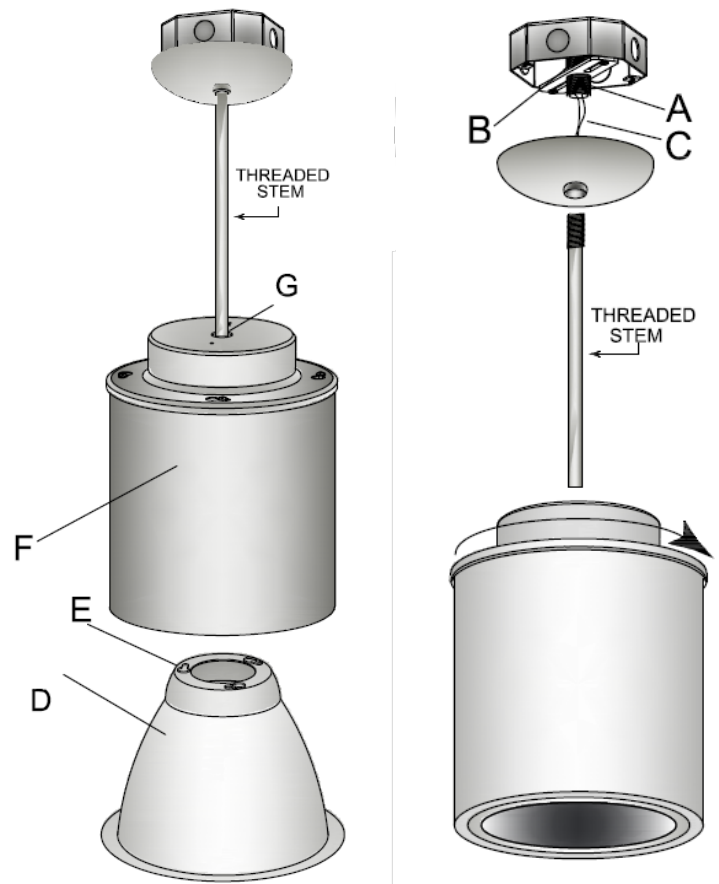
### AVAILABLE MOUNTING OPTIONS:

Please see the separate Supplemental Installation Instructions based on the selected mounting method. The following mounting methods are available for this product and must be selected upon ordering of product:

| Code      | Description                              | Supplemental Installation Instructions |
|-----------|--|--|
| <u>P</u>  | Pendant/Canopy (24" Standard)            | Included on page 2                     |
| <u>SP</u> | Swivel Pendant/Canopy (45°/24" Standard) | Included on page 2                     |
| <u>S</u>  | Surface                                  | Included on page 2                     |
| <u>W</u>  | Wall                                     | Included on page 2                     |

## PENDANT MOUNTING:

1. Remove reflector (D) from cylinder (F) by loosening (3) screws inside reflector (D) at keyhole locations (E) and twist to remove. (If secured with torsion springs, pull down on reflector, squeeze springs to remove.)
2. Insert stem into J-box mounting bracket and place nut (B) on back side to lock in place (as shown)
3. Insert power feed wires (C) (from power source) through the center of stem (A) (Mounted in J-box) and bring these wires through center of threaded nut (G) located on top of cylinder (F)
4. Thread cylinder (F) onto stem (A) using threaded hole (G) located on top of cylinder (F)
5. Spin cylinder (F) onto pendant (A)
6. Connect power feed (C) to fixture (this has to be done in this order to prevent twisting of wires)
7. Re-install reflector (D)

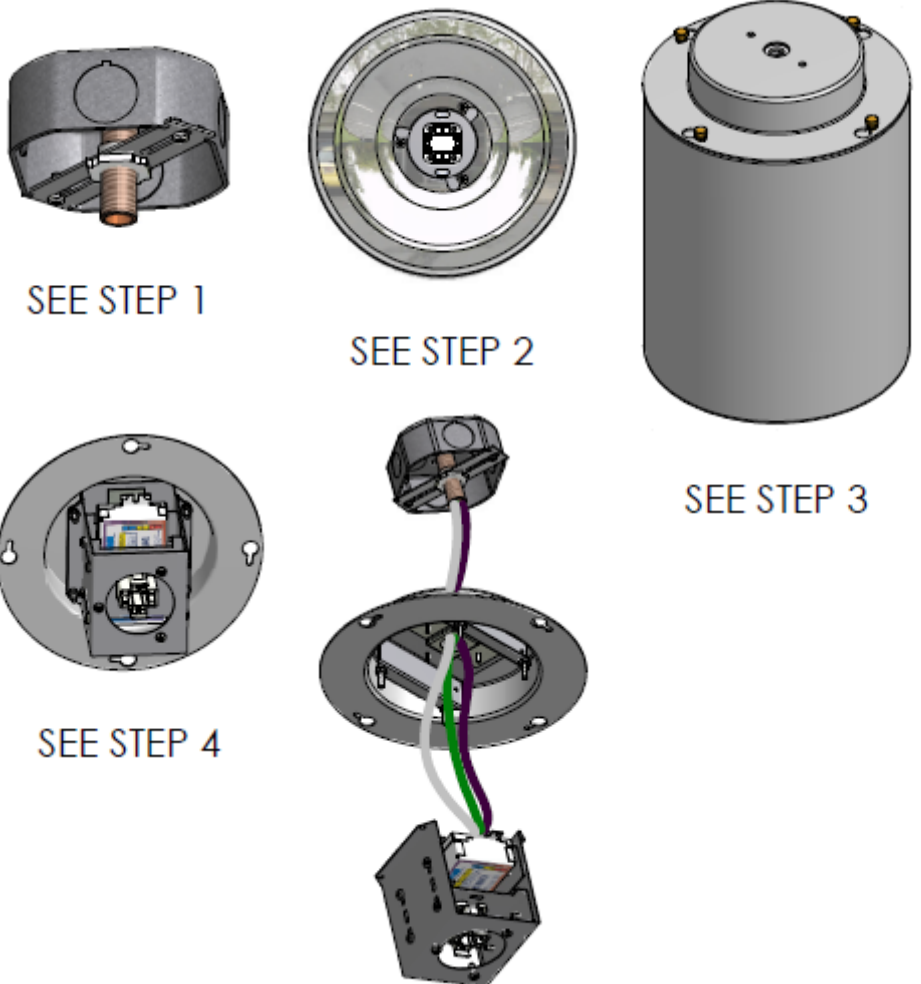


Swivel pendant mounting follows the same mounting instructions as shown above but using a 45-degree swivel canopy.

Wall mounting follows the same mounting instructions as shown below but with a direct to wall mounting cap assembly.

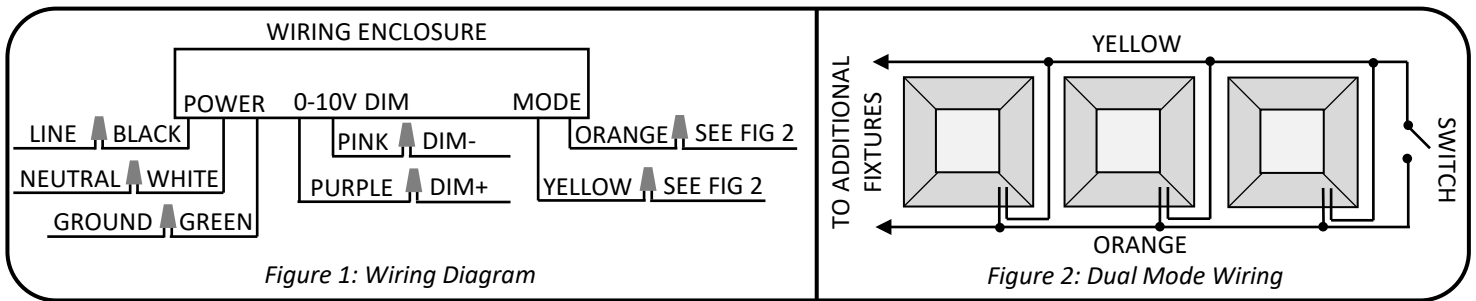
## SURFACE MOUNTING:

1. Attach J-box strap to octagon J-box mounted in ceiling. Thread in mounting nipple and lock in place with lock nut.
2. Remove reflector from fixture by loosening 3 screws inside reflector at keyhole locations and twisting.
3. Remove cylinder body from fixture by loosening 4 thumb notes at top of fixture body and twisting housing.
4. Remove ballast/socket mount assembly by removing 4 hex nuts and sliding assembly off of 4 screws attached to the mounting cap assembly
5. Pass supply wires thru the mounting nipple at the J-box and thru the mounting nut retained inside the mounting cap assembly. Align and spin the mounting cap assembly onto the mounting nipple until tight to the ceiling.
6. Make supply wire connections to the ballast leads provided.
7. Re-attach the ballast/socket mounting assembly to the mounting cap assembly by placing over the 4 mounting screws and replace the hex nuts.
8. Re-attach the cylinder body.
9. Reattach the reflector.



## ELECTRICAL CONNECTIONS:

1. Connect the black fixture wire to line voltage, the white wire to neutral, and the green wire to ground. Do not remove or use a different power cord fitting than the one supplied.
2. The mode switching wiring is installed as follows: Connect the yellow wire from each fixture together and to one end of a switch. Connect the orange wire from each fixture together and to the other end of a switch. If using an occupancy sensor instead of a switch, refer to (INS-404) for wiring details.



## Directions for Use:

Dual Mode wiring allows the unit to switch between Antimicrobial+Light Mode and Enhanced Antimicrobial Mode. The wiring is low voltage and comes wired as Normally Open, which means that the unit will be in its default Enhanced Antimicrobial Mode when the orange and yellow Dual Mode wires are disconnected.

Use 'Antimicrobial+Light Mode' when both continuous antimicrobial action and white light illumination are needed and 'Enhanced Antimicrobial Mode,' which is teal-violet in appearance and emits a higher dosage of Vyv's antimicrobial wavelengths, as an antimicrobial cleaning mode for when full illumination is not required.

Refer to Installation Instruction Supplement: (INS-402) for single driver fixtures or (INS-403) for 2 driver system fixtures.

For maximum antimicrobial effectiveness leave the light in "Enhanced Antimicrobial Mode" when white light illumination is not required.

Antimicrobial action stops when the unit is turned off entirely.

## Maintenance Instructions:

Turn power off before performing maintenance. Use a soft cloth to clean or dust the fixture. For heavy dirt or residue, use a soft cloth lightly dampened with soap and water or another mild cleanser. Warning: Do not use alcohol, abrasives or harsh solvents. The use of improper cleaning materials or methods can lead to degradation of the lens material which can inhibit the antimicrobial effect of the product.

**For troubleshooting Tips, please contact Vyv.**

Please refer to the most recent version of Vyv's Product Limited Warranty (LIT-027) to view Vyv's full warranty terms.