

NOTES:

- Installation should be completed by an individual familiar with the construction and operation of the luminaire.
- Installation of luminaire must be in accordance with nation and local building and electrical codes.
- Carefully read and follow all warnings and instructions before installing or servicing the luminaire.
- Do not restrict luminaire ventilation.
- Ensure luminaire is not covered with material that will prevent convection or conduction cooling.
- Do not exceed luminaire's maximum ambient temperature.
- Ensure LED luminaire has the correct polarity before installation.

⚠ IMPORTANT SAFETY INFORMATION: READ AND FOLLOW ALL INSTRUCTIONS:

Electric current can cause serious injury or death. For your safety follow these precautions:

- Product must be installed following all national and local codes by a qualified technician.
- Turn off power before product installation, servicing, and removal.
- Ensure supply voltage corresponds with the correct ballast/driver voltage.
- Avoid exposing wiring to metal edges and sharp objects.
- Properly ground the fixture and do not operate fixture without covers in place.

⚠ RISK OF FIRE:

The Luminaire must be connected to the mains supply according to its ratings on the product label. Use only UL approved wire for input/output connections. Minimum size 18 AWG. Keep flammable and combustible materials away from the light source and/or lens. Use correctly rated supply conductors as indicated by product labeling.

TO PREVENT PERSONAL INJURY:

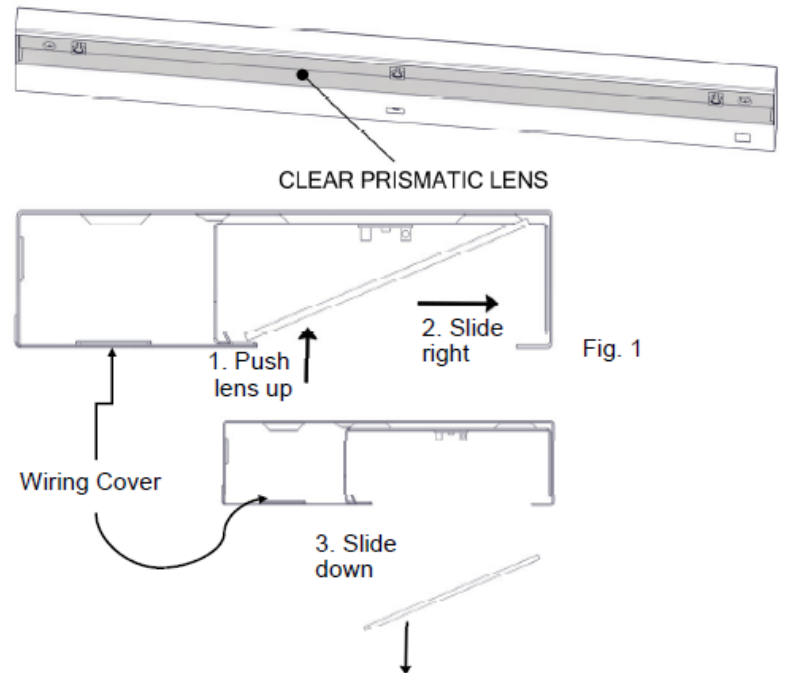
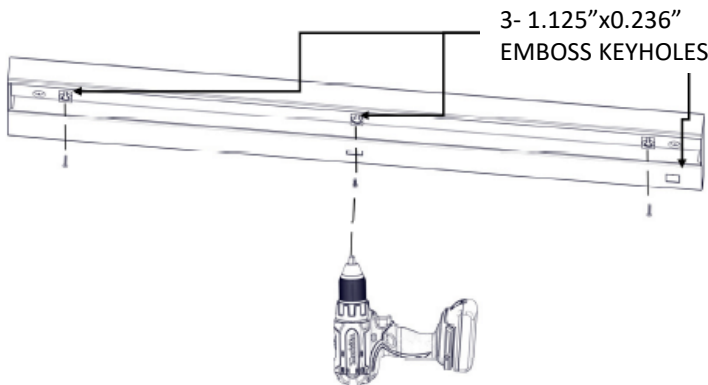
- Allow luminaire to cool before handling luminaire.
- Wear safety glasses and gloves when handling luminaire to avoid physical injury.
- LED lights are extremely bright – care should be taken not to look directly at the light source. Safety glasses with tinted lenses are recommended (ANSI Z87.1 or equivalent).
- Always support the weight of the luminaire.

Vyv is not responsible for any injuries due to the improper installation or handling of its products.

Installation Instructions

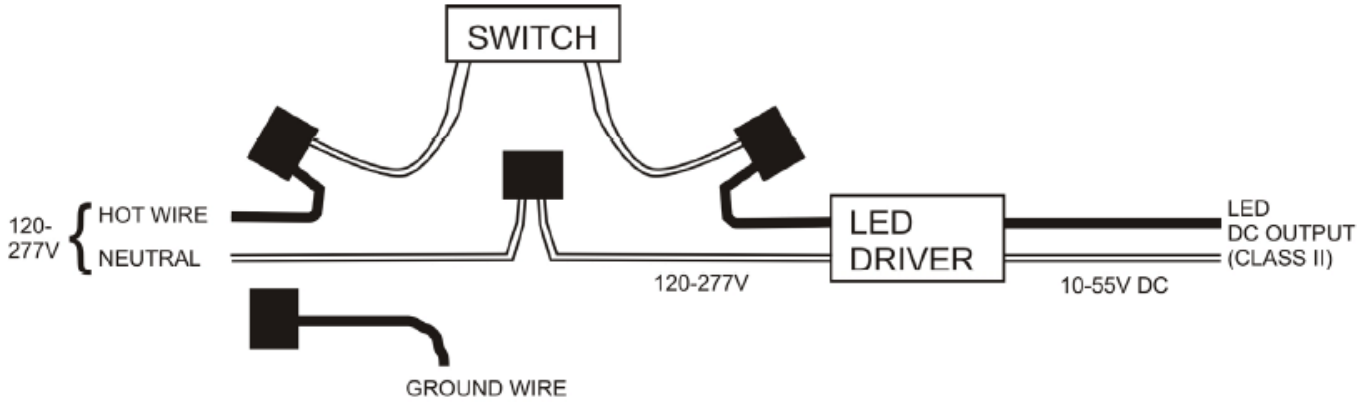
INSTALLATION WITH ROCKER SWITCH:

1. Disconnect main power.
2. Remove lens by gently pushing up on an angle and sliding down. No other parts required to be removed, keyholes are exposed in full view for easy mounting.
3. Position fixture on mounting surface and drive three (2) #10x32x1" pan head screws (hardware by others) into underside of cabinet with a power screwdriver.
4. Once fixture is firmly attached to the cabinet, plug cord into wall and ready for



INSTALLATION WITH HARD WIRING:

1. Disconnect main power.
2. Remove wiring cover (Fig. 1) by unscrewing the fasteners at rear and lowering cover.
3. Through one of the many knockouts provided, bring in power wiring. Secure wire to fixture with appropriate strain relief (hardware by others).
4. Strip 1/3" of the insulation off each incoming power wire. Connect white wire (neutral) to push-in connector on white wire from driver. Connect black incoming power wire (hot wire) to push-in connector on black wire from switch. Connect ground wire to push-in connector from ground wire attached to fixture. Push all wires firmly down into connectors, so that uninsulated wire is not exposed.
5. Check all connections. Close wiring cover, once secured re-install lens.



Directions for Use:

Use 'Antimicrobial+Light Mode' when both continuous antimicrobial action and white light illumination are needed.

For maximum antimicrobial effectiveness leave the light on continuously. Antimicrobial action stops when the unit is turned off entirely.

The surface directly below the VTL will receive the best antimicrobial coverage, with the coverage decreasing as you move away from the VTL.

Maintenance Instructions:

Turn power off before performing maintenance. Use a soft cloth to clean or dust the fixture. For heavy dirt or residue, use a soft cloth lightly dampened with soap and water or another mild cleanser. Warning: Do not use alcohol, abrasives or harsh solvents. The use of improper cleaning materials or methods can lead to degradation of the lens material which can inhibit the antimicrobial effect of the product.

For troubleshooting Tips, please contact Vyv.

Please refer to the most recent version of Vyv's Product Limited Warranty (LIT-027) to view Vyv's full warranty terms.

1-518-833-0261 • 13 British American Blvd, Latham, NY 12110 • vyv.tech
Vyv, Inc. reserves the right to upgrade and improve products without notice.