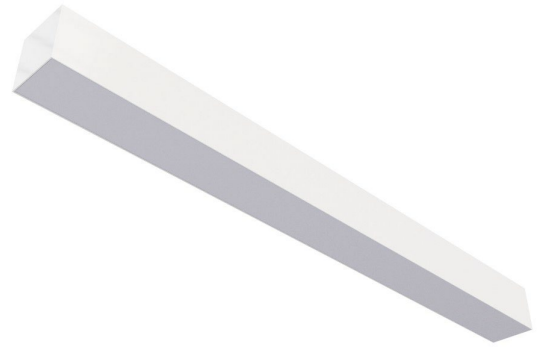


VS44 Linear Luminaire



Application: The Vyv VS44 Linear Luminaire provides sleek lighting for both individual and continuous runs in indoor applications. Available with multiple mounting options.

Mode Switching: Use 'Antimicrobial+Light Mode' when both continuous antimicrobial action and illumination are needed and 'Enhanced Antimicrobial Mode,' which emits a higher dosage of Vyv's antimicrobial wavelengths, as an antimicrobial cleaning mode for when full illumination is not required. See installation instructions (INS-418) for wiring details.

Product Specifications

Lens: Microlinear frosted lens is standard.

Housing: The VS44 is constructed from an extruded aluminum housing with internal components made from die formed cold rolled steel.

Finish: White antimicrobial polyester powder coat standard.

Electrical: LEDs coupled with high efficiency drivers provide quality illumination. Fixtures supplied with 0-10V dimming down to 1% as standard. Other dimming options are available (Consult Factory).

LED: Patented Vyv LED package. The range of CCT (correlated color temperature) follows the color uniformity guidelines of the American National Standard regarding specifications for the chromaticity of solid-state lighting (SSL) products as per ANSI C78.377-2017.

Approvals: Fixtures are cETLus listed for Damp Location. Wet location optional. EPA Est. 94839-RI-1. Covered by one or more of the following U.S. Patent Numbers: 9,333,274; 9,439,989; 9,713,223; 9,927,097; 10,357,582; 10,753,575



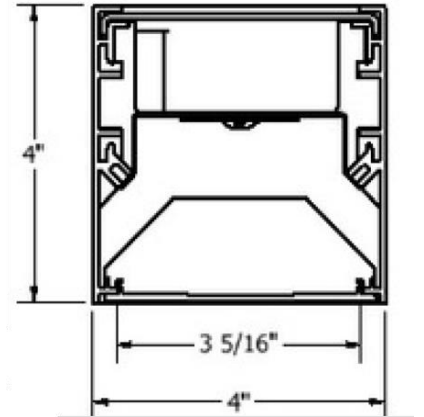
Ordering

Project: _____ Date: _____
 Luminaire Type: _____ Approved By: _____
 Product Code: _____

Series	Distribution	Mounting	Features	CCT
VS44	D Direct (Symmetric)	AC Adjustable Aircraft Cable (48" Standard)	N Dual Mode (Antimicrobial+Light Mode & Enhanced Antimicrobial Mode)	30 3000K
		P Pendant/ Canopy (24" Standard)		35 3500K
	A Direct (Asymmetric)	SP Swivel Pendant/ Canopy (45"/24" Standard)	W Antimicrobial +Light Mode	40 4000K
		S Surface		
		W Wall		
		T T-Grid		
		FL Flanged		
		FM Flangeless (For Mud In)		

Size	Diffuser	Finish	Voltage	Options
2 2'	MFL	WHT White Antimicrobial Polyester Powder Coat	UNV	Wiring BP In Line Fusing Approval WL Wet Location
3 3'	MFL Microlinear Frosted Lens		UNV 120/277V	
4 4'		CA Custom Colors (Consult Factory)		
6 6'				
8 8'				
XX (Consult Factory for Custom Sizes)				

Dimensions



Electrical

Input Frequency	50/60Hz
Power Factor	>.9
Control	On/Off via standard light switch Antimicrobial+Light Mode to Enhanced Antimicrobial Mode (optional) via low voltage switch or controls.

Performance

Watts/ft	17.5
Lumens/ft	1,078
Lumens/Watt	62

Some options may not be available in all combinations. All fixture configurations subject to final factory approval.

Vyv will work with your facility to customize a design for lighting and antimicrobial action. Vyv, Inc. reserves the right to upgrade and improve products without notice.

SPECIFICATIONS AND DATA SUBJECT TO CHANGE WITHOUT NOTICE

Updated January 22, 2024