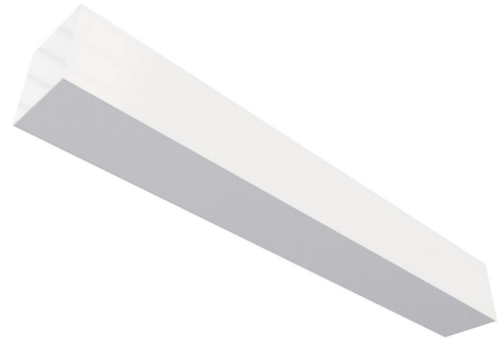


VS66 Linear Luminaire



Application: The Vyv VS66 Linear Luminaire provides sleek lighting for both individual and continuous runs in indoor applications. Available with multiple mounting options.

Mode Switching: Use 'Antimicrobial+Light Mode' when both continuous antimicrobial action and illumination are needed and 'Enhanced Antimicrobial Mode,' which emits a higher dosage of Vyv's antimicrobial wavelengths, as an antimicrobial cleaning mode for when full illumination is not required. See installation instructions (INS-421) for wiring details.

Product Specifications

Lens: Microlinear frosted lens is standard.

Housing: The VS66 is constructed from an extruded aluminum housing with internal components made from die formed cold rolled steel.

Finish: White antimicrobial polyester powder coat standard.

Electrical: LEDs coupled with high efficiency drivers provide quality illumination. Fixtures supplied with 0-10V dimming down to 1% as standard. Other dimming options are available (Consult Factory).

LED: Patented Vyv LED package. The range of CCT (correlated color temperature) follows the color uniformity guidelines of the American National Standard regarding specifications for the chromaticity of solid-state lighting (SSL) products as per ANSI C78.377-2017.

Approvals: Fixtures are cETLus listed for Damp Location. Wet location optional. EPA Est. 94839-RI-1. Covered by one or more of the following U.S. Patent Numbers: 9,333,274; 9,439,989; 9,713,223; 9,927,097; 10,357,582; 10,753,575



Ordering

Project: _____ Date: _____
 Luminaire Type: _____ Approved By: _____
 Product Code: _____

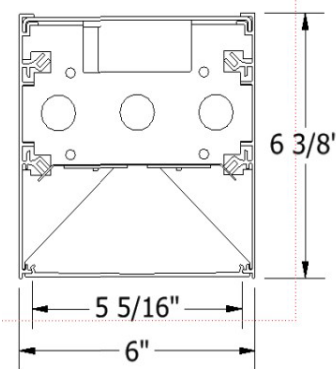
Series	Distribution	Mounting	Features	CCT	
VS66	D Direct (Symmetric)	AC Adjustable Aircraft Cable (48" Standard)	N Dual Mode (Antimicrobial+Light Mode & Enhanced Antimicrobial Mode)	30 3000K	
		P Pendant/ Canopy (24" Standard)		35 3500K	
	DI Direct/ Indirect**	SP Swivel Pendant/ Canopy (45°/24" Standard)	W Antimicrobial +Light Mode	40 4000K	
		S Surface			
		W Wall			
		T T-Grid			
		FL Flanged			
		FM Flangeless (For Mud In)			
	**Indirect distribution supplied with nonantimicrobial standard white light only and is switched off in enhanced mode.				

Size	Diffuser	Finish	Voltage	Options	Indirect Lumens Per Foot
	MFL		UNV		
2 2'	MFL Microlinear Frosted Lens	WHT White Antimicrobial Polyester Powder Coat	UNV 120/277V	Wiring	ILF035 350
3 3'				BP In Line Fusing	ILF055 550
4 4'		CA Custom Colors (Consult Factory)	Approval	ILF080 800	
6 6'			WL Wet Location	ILF100 1000	
8 8'				ILF120 1200	
XX (Consult Factory for Custom Sizes)				ILF145 1450	
					ILF170 1700
					ILF220 2200

Performance

Configuration	W Direct
Watts/ft	17.5
Lumens/ft	1,078
Lumens/Watt	62

Dimensions



**Indirect distribution supplied with nonantimicrobial standard white light only and is switched off in enhanced mode.

Some options may not be available in all combinations. All fixture configurations subject to final factory approval.

Vyv will work with your facility to customize a design for lighting and antimicrobial action. Vyv, Inc. reserves the right to upgrade and improve products without notice.

SPECIFICATIONS AND DATA SUBJECT TO CHANGE WITHOUT NOTICE

Updated January 23, 2024

Electrical

Input Frequency	50/60Hz
Power Factor	>.9
Control	On/Off via standard light switch Antimicrobial+Light Mode to Enhanced Antimicrobial Mode (optional) via low voltage switch or controls.