

VS72 Linear Luminaire



Application: The Vyv VS72 Linear Luminaire provides sleek lighting with multiple mounting options for indoor applications.

Mode Switching: Use 'Antimicrobial+Light Mode' when both continuous antimicrobial action and illumination are needed and 'Enhanced Antimicrobial Mode,' which emits a higher dosage of Vyv's antimicrobial wavelengths, as an antimicrobial cleaning mode for when full illumination is not required. See installation instructions (INS-419) for wiring details.

Product Specifications

Lens: Microlinear frosted lens is standard. Available in Round or Square.

Housing: The VS72 is constructed from die formed cold rolled steel.

Finish: White Antimicrobial Polyester Powder Coat Standard.

Electrical: LEDs coupled with high efficiency drivers provide quality illumination. Fixtures supplied with 0-10V dimming down to 1% as standard. Other dimming options are available (Consult Factory).

LED: Patented Vyv LED package. The range of CCT (correlated color temperature) follows the color uniformity guidelines of the American National Standard regarding specifications for the chromaticity of solid-state lighting (SSL) products as per ANSI C78.377-2017.

Approvals: Fixtures are cETLus listed for Damp Location. EPA Est. 94839-RI-1. Covered by one or more of the following U.S. Patent Numbers: 9,333,274; 9,439,989; 9,713,223; 9,927,097; 10,357,582; 10,753,575



Ordering

Project: _____ Date: _____
 Luminaire Type: _____ Approved By: _____
 Product Code: _____

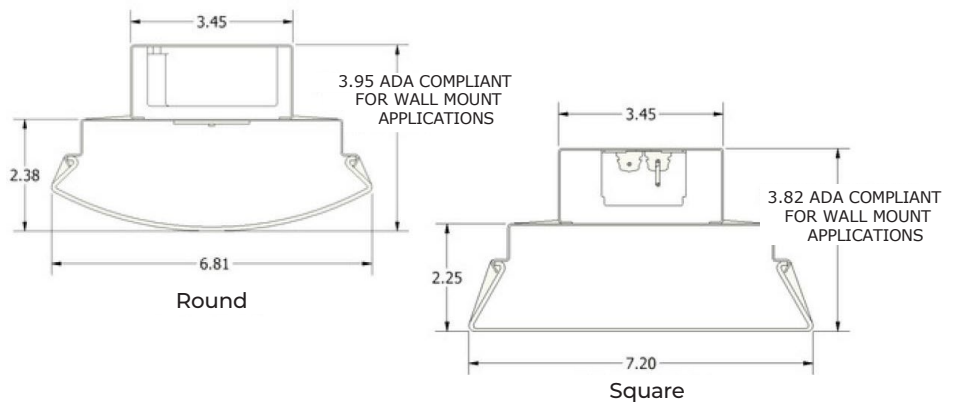
Series	Distribution	Mounting	Features	CCT
VS72	D Direct	AC Adjustable Aircraft Cable (48" Standard)	N Dual Mode (Antimicrobial+Light Mode & Enhanced Antimicrobial Mode)	30 3000K
		P Pendant/ Canopy (24" Standard)		35 3500K
		SP Swivel Pendant/ Canopy (45"/24" Standard)	W Antimicrobial +Light Mode	40 4000K
		S Surface		
		W Wall		

Size	Diffuser	Finish	Voltage	Options
2 2'	R. Round	WHT White Antimicrobial Polyester Powder Coat	UNV UNV 120/277V	Wiring
3 3'	S. Square	CA Custom Colors (Consult Factory)		BP In Line Fusing
4 4'				Approval WL Wet Location

Performance

Watts/ft	17.5
Lumens/ft	1,078
Lumens/Watt	62

Dimensions



Electrical

Input Frequency	50/60Hz
Power Factor	>.9
Control	On/Off via standard light switch Antimicrobial+Light Mode to Enhanced Antimicrobial Mode (optional) via low voltage switch or controls.

Contact factory for custom sizes.
 Some options may not be available in all combinations.
 All fixture configurations subject to final factory approval.

Vyv will work with your facility to customize a design for lighting and antimicrobial action.
 Vyv, Inc. reserves the right to upgrade and improve products without notice.

SPECIFICATIONS AND DATA SUBJECT TO CHANGE WITHOUT NOTICE

Updated August 18, 2023