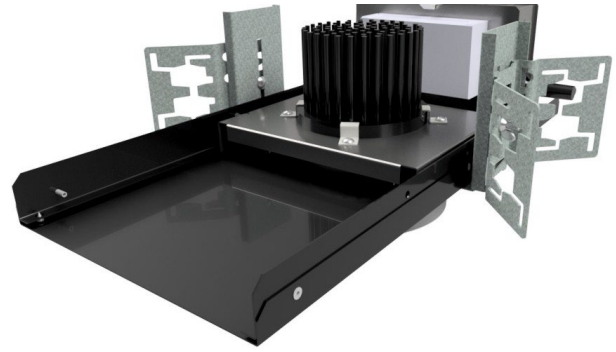


VSDLC Recessed 4” Downlight Round



Application: The Vyv VSDLC provides sleek recessed lighting for a clean look and feel in indoor applications.

Mode Switching: Use ‘Antimicrobial+Light Mode’ when both continuous antimicrobial action and illumination are needed and ‘Enhanced Antimicrobial Mode,’ which emits a higher dosage of Vyv’s antimicrobial wavelengths, as an antimicrobial cleaning mode for when full illumination is not required. See installation instructions (INS-443) for wiring details.

Product Specifications

Lens: Solite LPI tempered glass lens is standard.

Trim: Integrated LED module with Spun Aluminum Reflector. Haze anodized reflector is standard.

Housing: Fabricated from stamped and die formed galvanized steel. Supplied with a junction box suitable for through wiring (4in/4out). Sliding light engine for easy service.

Electrical: LEDs coupled with high efficiency drivers provide quality illumination. Fixtures supplied with 0-10V dimming down to 1% as standard.

LED: Patented Vyv LED package. The range of CCT (correlated color temperature) follows the color uniformity guidelines of the American National Standard regarding specifications for the chromaticity of solid-state lighting (SSL) products as per ANSI C78.377-2017.

Approvals: Fixtures are cETLus listed for Damp Location. Wet location optional. EPA Est. 94839-RI-1. Covered by one or more of the following U.S. Patent Numbers: 9,333,274; 9,439,989; 9,713,223; 9,927,097; 10,357,582; 10,753,575



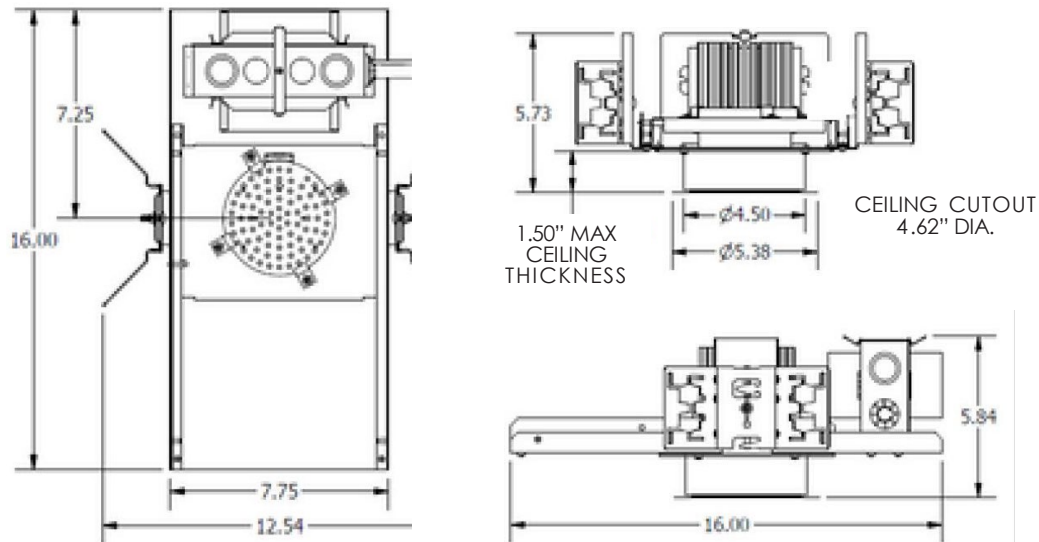
Ordering

Project: _____ Date: _____
 Luminaire Type: _____ Approved By: _____
 Product Code: _____

Series	Lumens	Features	CCT	Reflector Finish	Lens	Voltage	Options
VSDLC					LP1		
	010 1,000lm	N Dual Mode <small>(Antimicrobial+Light Mode & Enhanced Antimicrobial Mode)</small>	30 3000K 35 3500K 40 4000K	FP1 Haze (Anodized) Standard FP2 White Powder Coat FP3 Black Powder Coat FP4 Custom Color (Consult Factory)	LP1	120 120V 277 277V	Driver BP In Line Fusing Approval WL Wet Location CRI* 90CRI 90 CRI

*90+CRI reduces lumen output by 20%.

Dimensions



Electrical

Input Frequency	50/60Hz
Power Factor	>.9
Control	On/Off via standard light switch Antimicrobial+Light Mode to Enhanced Antimicrobial Mode (optional) via low voltage switch or controls.

Some options may not be available in all combinations.
 All fixture configurations subject to final factory approval.
 Vyv will work with your facility to customize a design for lighting and antimicrobial action.
 Vyv, Inc. reserves the right to upgrade and improve products without notice.

SPECIFICATIONS AND DATA SUBJECT TO CHANGE WITHOUT NOTICE

Updated January 24, 2024