

## VSDLD Recessed 4” Downlight Square



**Application:** The Vyv VSDLD provides sleek recessed lighting for a clean look and feel in indoor applications.

**Mode Switching:** Use ‘Antimicrobial+Light Mode’ when both continuous antimicrobial action and illumination are needed and ‘Enhanced Antimicrobial Mode,’ which emits a higher dosage of Vyv’s antimicrobial wavelengths, as an antimicrobial cleaning mode for when full illumination is not required. See installation instructions (INS-443) for wiring details.

### Product Specifications

**Lens:** Solite LPI tempered glass lens is standard.

**Trim:** Integrated LED module with Spun Aluminum Reflector. Haze anodized reflector is standard.

**Housing:** Fabricated from stamped and die formed galvanized steel. Supplied with a junction box suitable for through wiring (4in/4out). Sliding light engine for easy service.

**Electrical:** LEDs coupled with high efficiency drivers provide quality illumination. Fixtures supplied with 0-10V dimming down to 1% as standard.

**LED:** Patented Vyv LED package. The range of CCT (correlated color temperature) follows the color uniformity guidelines of the American National Standard regarding specifications for the chromaticity of solid-state lighting (SSL) products as per ANSI C78.377-2017.

**Approvals:** Fixtures are cETLus listed for Damp Location. Wet location optional. EPA Est. 94839-RI-1. Covered by one or more of the following U.S. Patent Numbers: 9,333,274; 9,439,989; 9,713,223; 9,927,097; 10,357,582; 10,753,575



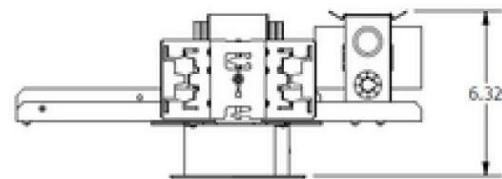
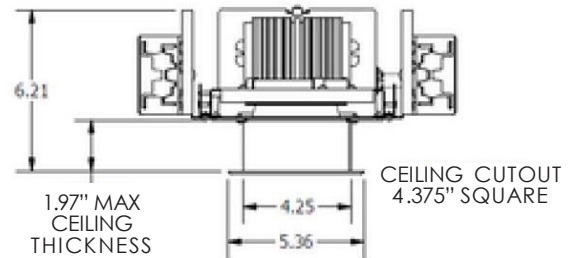
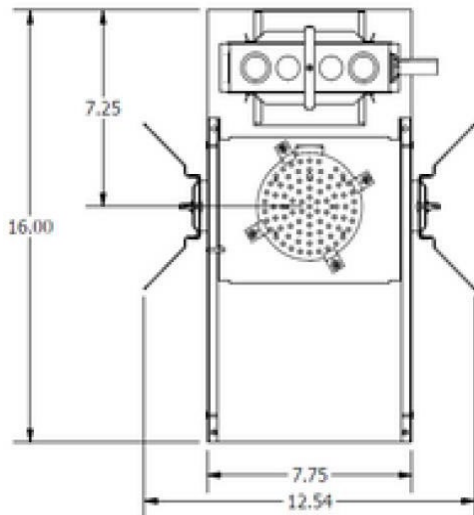
## Ordering

Project: \_\_\_\_\_ Date: \_\_\_\_\_  
 Luminaire Type: \_\_\_\_\_ Approved By: \_\_\_\_\_  
 Product Code: \_\_\_\_\_

Series	Lumens	Features	CCT	Reflector Finish	Lens	Voltage	Options
VSDLD					LP1		
	<b>010</b> 1,000lm	<b>N</b> Dual Mode <small>(Antimicrobial+Light Mode &amp; Enhanced Antimicrobial Mode)</small>	<b>30</b> 3000K <b>35</b> 3500K <b>40</b> 4000K	<b>FP1</b> Haze (Anodized) Standard  <b>FP2</b> White Powder Coat  <b>FP3</b> Black Powder Coat  <b>FP4</b> Custom Color (Consult Factory)	LP1	<b>120</b> 120V <b>277</b> 277V	<b>Driver</b>  <b>BP</b> In Line Fusing  <b>Approval</b>  <b>WL</b> Wet Location  <b>CRI*</b>  <b>90CRI</b> 90 CRI

\*90+CRI reduces lumen output by 20%.

## Dimensions



## Electrical

<b>Input Frequency</b>	<b>50/60Hz</b>
<b>Power Factor</b>	>.9
<b>Control</b>	On/Off via standard light switch Antimicrobial+Light Mode to Enhanced Antimicrobial Mode (optional) via low voltage switch or controls.

Some options may not be available in all combinations.  
 All fixture configurations subject to final factory approval.  
 Vyv will work with your facility to customize a design for lighting and antimicrobial action.  
 Vyv, Inc. reserves the right to upgrade and improve products without notice.

**SPECIFICATIONS AND DATA SUBJECT TO CHANGE WITHOUT NOTICE**

Updated January 25, 2024