

## VSG Surgical/Cleanroom Troffer



**Application:** The Vyv VSG Surgical/Cleanroom Troffer provides supplemental lighting for surgical/operating rooms. Commonly located above the table perimeter, the VSG is a triple gasketed shallow design for recessed mounting in surgical ceiling systems as well as grid and flanged installations with room side access to all electrical components.

**Mode Switching:** Use 'Antimicrobial+Light Mode' when both continuous antimicrobial action and illumination are needed and 'Enhanced Antimicrobial Mode,' which emits a higher dosage of Vyv's antimicrobial wavelengths, as an antimicrobial cleaning mode for when full illumination is not required. See installation instructions (INS-400) for wiring details.

## Product Specifications

**Housing:** Precision formed; hole-free seam welded 20 gauge cold rolled steel housing. One standard 1/2" trade-size conduit entrance hole. Closed cell neoprene gasket provided to seal flange to ceiling.

**Door Frame:** One-piece door frame, fabricated from 20 gauge, cold rolled steel with TIG welded corners. Countersunk flat head, stainless steel, captive fasteners with integral silicone o-rings. Door frame is removable, reversible, and hinged by stainless steel aircraft cables. Highly resilient and chemical resistant CertaSeal microcellular closed-cell gasket seals door frame to housing.

**Finish:** Antimicrobial gloss white polyester powder coat finish with a 5-stage pretreatment.

**Mounting:** Flange installation is supported by swing style mounting brackets with a range of 1.3-2.9". See options accessories when a range of 3.3-4.9" is required. Grid installation suitable for 1" and 1.5" T-bar ceilings. See options housing for additional 2" T-Bar support.

**Lens:** High diffusion, smooth impact resistant 0.125" thick frosted acrylic lens provides symmetric distribution. Radiated emissions (RE101) mitigated below MIL STD 461G limits by use of special filters and secondary circuit design elements. Lens sealed to door frame with silicone sealant. Other lens options available.

**Electrical:** High efficiency (>85%) and low THD (<10%) constant current driver with low-voltage dimming (0-10v, 1%). Certified to MIL STD 461G for conducted emissions as well as FCC Part 15.

**LED:** Patented Vyv LED package. The range of CCT (correlated color temperature) follows the color uniformity guidelines of the American National Standard regarding specifications for the chromaticity of solid-state lighting (SSL) products as per ANSI C78.377-2017.

**Approvals:** UL listed for insulated ceilings and wet location. Certified IP65 and Certified NSF2. MIL STD 461G Certified. Cleanroom class ISO3-8. EPA Est. 94831-CAN-1. Covered by one or more of the following U.S. Patent Numbers: 9,333,274; 9,439,989; 9,713,223; 9,927,097; 10,357,582; 10,753,575



## Ordering

Project: \_\_\_\_\_ Date: \_\_\_\_\_  
 Luminaire Type: \_\_\_\_\_ Approved By: \_\_\_\_\_  
 Product Code: \_\_\_\_\_

Series	Size	CRI*	CCT	Lumens	Voltage	Features	Finish	Door Style
VSG					UNV		ABF	
	14 1'x4'	80 80 CRI	30 3000K	1'x4'	UNV 120-277V	N Dual Mode <small>(Antimicrobial+Light Mode &amp; Enhanced Antimicrobial Mode)</small>	ABF Gloss White Antimicrobial	I Inset O Overlapping
	22 2'x2'	90 90 CRI	35 3500K	05 5,000lm				
	24 2'x4'	*90+ CRI reduces lumen output by 20%. 90 CRI is only available in 5,000 and 10,000 lm models.	40 4000K	07 7,000lm 2'x2' 05 5,000lm 07 7,000lm 2'x4' 10 10,000lm 14 14,000lm		W Antimicrobial +Light Mode		

### Options

#### Driver

**EBP** Emergency Lighting Battery Pack (10W)\*\*

#### Lens

**L106** Symmetric/Asymmetric Acrylic Lens

**L13** 0.125" Prismatic Acrylic (Pattern #12, Inverted)

#### Construction

**C119** Plenum Access Panel (Gasketed)

**TBAR2** Housing for 2-inch T-Bar

#### Accessories

**M70** Install Frame (Plaster Ceilings)

**M46** Continuous Row Mounting (Flanged Applications)

**M62** Extended Swing Brackets Range 3.3-4.9" (Inset Door Style)

#### Approvals

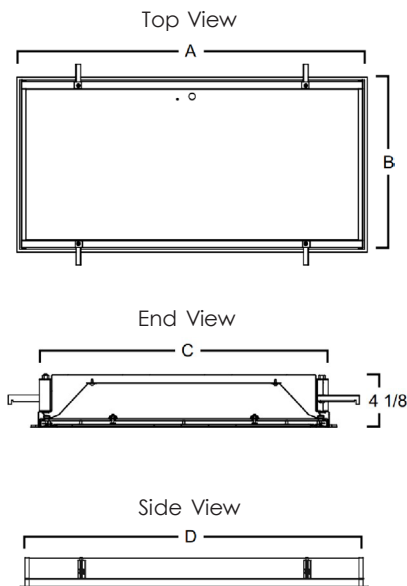
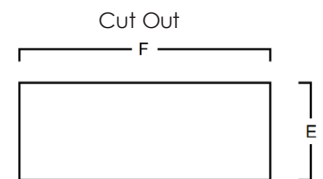
**X5** NSF Food Zone-Non-contact

#### Finish

**C77** White Stainless Steel Door Screws

## Dimensions

Size	A	B	C	D	E	F
1'x4'	47 3/4"	11 3/4"	10 11/16"	46 3/4"	10 11/16"	46 3/4"
2'x2'	23 3/4"	23 3/4"	22 11/16"	22 7/8"	22 11/16"	22 7/8"
2'x4'	47 3/4"	23 3/4"	22 11/16"	46 3/4"	22 11/16"	46 3/4"



## Performance

Size	Lumens	CRI	Watts
1'x4'	5,000	80	85
2'x2'	5,000	80	85
2'x4'	10,000	80	170

## Electrical

<b>Input Frequency</b>	50/60Hz
<b>Power Factor</b>	>.9
<b>Control</b>	On/Off via standard light switch Antimicrobial+Light Mode to Enhanced Antimicrobial Mode (optional) via low voltage switch or controls.

\*\*Battery Pack may be mounted external to the fixture on some models – consult factory for details

**SPECIFICATIONS AND DATA SUBJECT TO CHANGE WITHOUT NOTICE**

Vyv will work with your facility to customize a design for lighting and antimicrobial action. Vyv, Inc. reserves the right to upgrade and improve products without notice.

Updated January 24, 2023